

## Green Quality

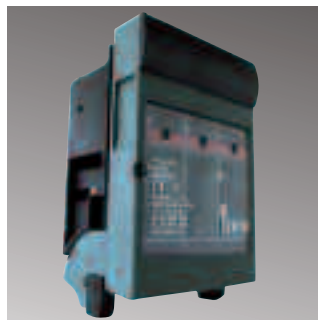
**NH Fuse-Switch, horizontal design, with big sliding window for different modes of mounting**



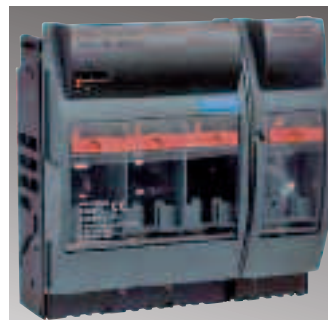
**NH Fuse-Switch, horizontal design with electronic fuse monitoring**



**Size 000: Compact design for all applications**



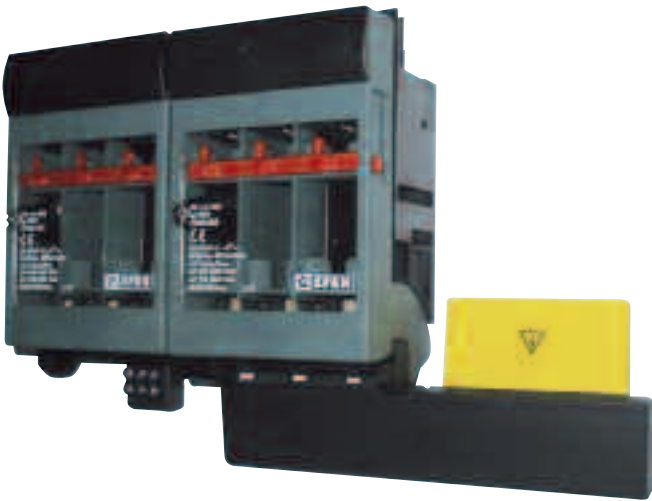
**NH Fuse-Switches, 4-pole switching in the sizes 00 up to 4a for baseplate mounting available**



# Content

## NH Fuse-Switches NT-IN, horizontal design

NH Fuse-Switches, 1-pole up to 4-pole switching for baseplate mounting and mounting on supporting rails	<b>98</b>
NH Fuse-Switches, 3-pole switching, for busbar mounting	<b>100</b>
Accessories	<b>101</b>
Technical data	<b>see page 104</b>



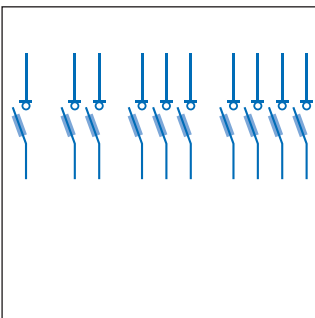
### System

The EFEN NH Fuse-Switches NT-IN line are the result of long year experience. They thus offer a sophisticated technology especially for universal and industrial applications. The devices and the accessories are complementary. They allow fast and multiple assembling and are usable in all current distribution systems. The range includes size 000 to 4a, 630 kVA or 1500 V and some differend applications, size 3L, 630 kVA applications and many more.

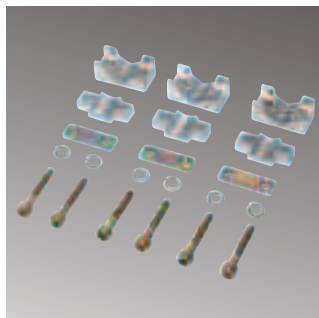
### Features

Because of the application-oriented solutions provided by the EFEN NT-IN-Switches, they belong to the most comprehensive range on the market.

Available Versions



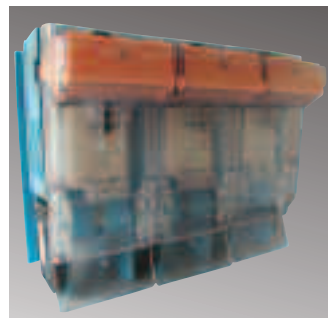
Accessories



A lot of drills for mounting



Up to size 4a with 1600 A



## NH Fuse-Switches IN – Size 000 - 4a baseplate mounting

**Properties:**

- Sliding fuse test window
- Compact sealing
- Touch-free unlocking of all by size 000 and 00

For more information  
see page **104**



34050-0000

**NH Fuse-Switches 690 V AC, 3-pole switching, for baseplate mounting**

Description	Size	Amps	Order-No.	PU	PG	Sur. Ag	Sur. Cu	Price €/pc.
Small design, box terminal 1,5 - 50 mm <sup>2</sup>	000	100	<b>34040-0000</b>	10	NT IN 1	0,007	0,018	56,65
Box terminal 1,5 - 50 mm <sup>2</sup>	000	100	<b>34050-0000</b>	10	NT IN 1	0,005	0,017	49,15
Multiple use terminal (screw M8)	00	160	<b>34060-0000</b>	10	NT IN 1	0,006	0,020	56,60
Box terminal 1,5 - 50 mm <sup>2</sup>	00	125	<b>34065-0000</b>	10	NT IN 1	0,008	0,026	59,85
V-clamp 35 - 70 mm <sup>2</sup>	00	160	<b>34067-0000</b>	10	NT IN 1	0,006	0,020	124,00
Multiple use terminal (screw M10)	1	250	<b>34162-0000</b>	1	NT IN 1	0,027	0,093	154,00
Multiple use terminal (screw M10)	2	400	<b>34262-0000</b>	1	NT IN 1	0,034	0,188	207,00
Multiple use terminal (screw M10)	3	630	<b>34362-0000</b>	1	NT IN 1	0,041	0,225	265,00
Srew terminal M16, 1-pole switching	4a	1250	<b>34400-0000</b>	1	NT 1	0,104	0,561	1.020,00
Srew terminal M16, 3-pole switching	4a	1250	<b>34400-1010</b>	1	NT 1	0,104	0,561	1.230,00
Srew terminal 2 x M12, 1-pole switching	4a	1600	<b>34400-1040</b>	1	NT 1	0,143	0,709	1.280,00
Srew terminal 2 x M12, 3-pole switching	4a	1600	<b>34400-1050</b>	1	NT 1	0,143	0,709	1.385,00



34050-0070

**NH Fuse-Switches 690 V AC, 3-pole switching for mounting onto supporting rails**

Description	Size	Amps	Order-No.	PU	PG	Sur. Ag	Sur. Cu	Price €/pc.
Box terminal 1,5 - 50 mm <sup>2</sup>	000	100	<b>34050-0070</b>	10	NT IN 1	0,005	0,017	52,40
Multiple use terminal (screw M8)	00	160	<b>34060-0070</b>	10	NT IN 1	0,006	0,020	60,90
Box terminal 1,5 - 50 mm <sup>2</sup>	00	125	<b>34065-0070</b>	10	NT IN 1	0,008	0,026	65,15



34762-1020

**NH Fuse-Switches 1500 V AC, 3-pole switching for baseplate mounting**

Description	Size	Amps	Order-No.	PU	PG	Sur. Ag	Sur. Cu	Price €/pc.
Multiple use terminal (screw M10), 1000 V	3	500	<b>34762-1020</b>	1	NT IN 1	0,041	0,141	677,00
Multiple use terminal (screw M10), 1500 V, only for NH Fuse-Links size 3L	3L	500	<b>34762-1010</b>	1	NT IN 1	0,041	0,141	677,00



33136-0010

**NH Fuse-Switches 690 V AC, 1-pole switching for baseplate and busbar mounting**

Description	Size	Amps	Order-No.	PU	PG	Sur. Ag	Sur. Cu	Price €/pc.
Multiple use terminal (screw M8), baseplate mounting	00	160	<b>33136-0010</b>	2	NT IN 1	0,002	0,007	29,90
Multipel use terminal (screw M8), for busbar mounting	00	160	<b>33137-0010</b>	2	NT IN 1	0,004	0,011	35,30

## NH Fuse-Switches IN – Size 000 - 4a baseplate mounting

**Properties:**

- Sliding fuse test window
- Compact sealing
- Touch-free unlocking of all by size 000 and 00



34060-4000

**NH Fuse-Switches 690 V AC, 4-pole switching for baseplate mounting**

Description	Size	Amps	Order-No.	PU	PG	Sur. Ag	Sur. Cu	Price €/pc.
Multiple use terminal (screw M8)	00	160	<b>34060-4000</b>	1	NT IN 1	0,008	0,026	92,50
Multiple use terminal (screw M10)	1	250	<b>34162-4000</b>	1	NT IN 1	0,035	0,124	360,00
Multiple use terminal (screw M10)	2	400	<b>34262-4000</b>	1	NT IN 1	0,045	0,250	542,00
Multiple use terminal (screw M10)	3	630	<b>34362-4000</b>	1	NT IN 1	0,054	0,300	595,00
Screw terminal M16, 1-pole switching	4a	1250	<b>34440-0000</b>	1	NT 1	0,134	0,749	1.240,00



34060-4010

**NH Fuse-Switches with pre connecting solid link on the right side for baseplate mounting**

Description	Size	Amps	Order-No.	PU	PG	Sur. Ag	Sur. Cu	Price €/pc.
Multiple use terminal (screw M8)	00	160	<b>34060-4010</b>	1	NT SILAS	0,001	0,020	141,00
Multiple use terminal (screw M10)	1	250	<b>34162-4010</b>	1	NT SILAS	0,040	0,124	541,00
Multiple use terminal (screw M10)	2	400	<b>34262-4010</b>	1	NT SILAS	0,050	0,265	604,00
Multiple use terminal (screw M10)	1	630	<b>34362-4010</b>	1	NT SILAS	0,060	0,300	686,00



34360-1000

**NH Fuse-Switches 690 V AC, 3-pole switching for baseplate mounting 630 kVA and 1000 A Incoming switch**

Description	Size	Amps	Order-No.	PU	PG	Sur. Ag	Sur. Cu	Price €/pc.
Screw terminal M12	3	630 kVA	<b>34360-1000</b>	1	NT IN 2	0,058	0,286	307,00
Screw terminal M12 with mounted solid link 1000 A	3	1000	<b>34360-0100</b>	1	NT IN 2	0,058	0,286	411,00



34060-0130

**NH Fuse-Switches 690 V AC, 3-pole switching for baseplate mounting**
**Properties:**

- with electrical fuse monitoring

Description	Size	Amps	Order-No.	PU	PG	Sur. Ag	Sur. Cu	Price €/pc.
Box terminal 1,5 - 50 mm <sup>2</sup>	000	100	<b>34040-0130</b>	1	NT IN 1	0,007	0,018	216,00
Multiple use terminal (screw M8), Feeding top	00	160	<b>34060-0130</b>	1	NT IN 1	0,006	0,020	251,00
Multiple use terminal (screw M8), Feeding bottom	00	160	<b>34060-0131</b>	1	NT IN 1	0,006	0,020	251,00
Multiple use terminal (screw M10), Feeding top	1	250	<b>34162-0130</b>	1	NT IN 1	0,027	0,093	351,00
Multiple use terminal (screw M10), Feeding bottom	1	250	<b>34162-0131</b>	1	NT IN 1	0,027	0,093	351,00
Multiple use terminal (screw M10), Feeding top	2	400	<b>34262-0130</b>	1	NT IN 1	0,034	0,188	402,00
Multiple use terminal (screw M10), Feeding bottom	2	400	<b>34262-0131</b>	1	NT IN 1	0,034	0,188	402,00
Multiple use terminal (screw M10), Feeding top	3	630	<b>34362-0130</b>	1	NT IN 1	0,041	0,225	460,00
Multiple use terminal (screw M10), Feeding bottom	3	630	<b>34362-0131</b>	1	NT IN 1	0,041	0,225	460,00



34060-0030

**NH Fuse-Switches 690 V AC, 3-pole switching for baseplate mounting**
**Properties:**

- with mechanical fuse monitoring

Description	Size	Amps	Order-No.	PU	PG	Sur. Ag	Sur. Cu	Price €/pc.
Multiple use terminal (screw M8)	00	160	<b>34060-0030</b>	1	NT IN 1	0,006	0,020	293,00
Multiple use terminal (screw M10)	1	250	<b>34162-0030</b>	1	NT IN 1	0,027	0,093	395,00
Multiple use terminal (screw M10)	2	400	<b>34262-0030</b>	1	NT IN 1	0,034	0,188	446,00
Multiple use terminal (screw M10)	3	630	<b>34362-0030</b>	1	NT IN 1	0,041	0,225	506,00
Screw terminal M16, 3-pole switching	4a	1250	<b>34400-0030</b>	1	NT 1	0,104	0,561	1.585,00

## NH Fuse-Switches IN – Size 000 - 3 for busbar mounting

**Properties:**

- Sliding fuse test window
- Easy and quick mounting
- Variabel selection of cable terminal on either top or bottom

 For more information see page **104**


39605-0000

**NH Fuse-Switches 690 V AC, 3-pole switching for busbar mounting**
**Properties:**

- for 40 mm or 60 mm busbar systems
- plug-on contacting

Description	Busbar	Size	Amps	Order-No.	PU	PG	Sur. Ag	Sur. Cu	Price €/pc.
Box terminal 1,5 - 50 mm <sup>2</sup>	40/12	00	125	<b>39605-0000</b>	2	NT IN 1	0,012	0,041	72,60
Box terminal 1,5 - 50 mm <sup>2</sup>	60/12	00	125	<b>39615-2000</b>	2	NT IN 1	0,014	0,072	83,40
Box terminal 1,5 - 50 mm <sup>2</sup>	60/20	00	125	<b>39625-2000</b>	2	NT IN 1	0,014	0,072	83,35
Box terminal 1,5 - 50 mm <sup>2</sup>	60/30	00	125	<b>39635-2000</b>	2	NT IN 1	0,014	0,072	83,35
Multiple use terminal (screw M8)	40/12	00	160	<b>39600-0000</b>	2	NT IN 1	0,012	0,041	72,50
Multiple use terminal (screw M8)	60/12	00	160	<b>39610-2000</b>	2	NT IN 1	0,014	0,072	81,20
Multiple use terminal (screw M8)	60/20	00	160	<b>39620-2000</b>	2	NT IN 1	0,014	0,072	81,25
Multiple use terminal (screw M8)	60/30	00	160	<b>39630-2000</b>	2	NT IN 1	0,014	0,072	81,25
Multiple use terminal (screw M10)	40/12	1	250	<b>39402-5000</b>	1	NT IN 1	0,033	0,140	218,00
Multiple use terminal (screw M10)	60/12	1	250	<b>39417-5000</b>	1	NT IN 1	0,050	0,097	224,00
Multiple use terminal (screw M10)	60/20	1	250	<b>39420-5000</b>	1	NT IN 1	0,050	0,097	224,00
Multiple use terminal (screw M10)	60/30	1	250	<b>39424-5000</b>	1	NT IN 1	0,050	0,097	224,00



39660-2000

**NH Fuse-Switches 690 V AC, 3-pole switching for busbar systems**
**Properties:**

- for 60 mm busbar systems
- Hook contacting

Description	Size	Amps	Order-No.	PU	PG	Sur. Ag	Sur. Cu	Price €/pc.
Small design, Terminal bottom, box terminal 1,5 - 50 mm <sup>2</sup>	000	100	<b>39010-0000</b>	1	NT IN 1	0,010	0,019	83,30
Small design, Terminal top, box terminal 1,5 - 50 mm <sup>2</sup>	000	100	<b>39011-0000</b>	1	NT IN 1	0,010	0,017	83,30
Box terminal 1,5-50 mm <sup>2</sup>	00	125	<b>39665-2000</b>	2	NT IN 1	0,014	0,060	85,40
Multiple use terminal (screw M8)	00	160	<b>39660-2000</b>	2	NT IN 1	0,013	0,057	83,35
Multiple use terminal (screw M10)	1	250	<b>39212-2000</b>	1	NT IN 1	0,049	0,211	238,00
Multiple use terminal (screw M10)	2	400	<b>39222-2000</b>	1	NT IN 1	0,057	0,270	272,00
Multiple use terminal (screw M10)	3	630	<b>39232-2000</b>	1	NT IN 1	0,064	0,298	337,00



39212-5000

**NH Fuse-Switches 690 V AC, 3-pole switching for busbar systems**
**Properties:**

- for 100 mm busbar systems
- Hook contacting

Description	Size	Amps	Order-No.	PU	PG	Sur. Ag	Sur. Cu	Price €/pc.
Multiple use terminal (screw M10)	1	250	<b>39212-5000</b>	1	NT IN 1	0,049	0,211	241,00
Multiple use terminal (screw M10)	2	400	<b>39222-5000</b>	1	NT IN 1	0,057	0,270	277,00
Multiple use terminal (screw M10)	3	630	<b>39232-5000</b>	1	NT IN 1	0,064	0,298	337,00



39430-5000

**NH Fuse-Switches 690 V AC, 3-pole switching for busbar supply, variable selection of cable terminal on either top or bottom**
**Properties:**

- Saving of space, because with one switch you made the feeding and the outlet
- Terminal bottom

Description	Size	Amps	Order-No.	PU	PG	Sur. Ag	Sur. Cu	Price €/pc.
Busbar system 40/12 mm, Multiple use terminal (screw M10)	1	250	<b>39430-5000</b>	1	NT IN 1	0,050	0,097	244,00
Busbar system 60/12 mm, Multiple use terminal (screw M10)	1	250	<b>39440-5000</b>	1	NT IN 1	0,050	0,097	244,00
Busbar system 60/20 mm, Multiple use terminal (screw M10)	1	250	<b>39450-5000</b>	1	NT IN 1	0,050	0,097	244,00
Busbar system 60/30 mm, Multiple use terminal (screw M10)	1	250	<b>39470-5000</b>	1	NT IN 1	0,050	0,097	244,00



## NH Fuse-Switches IN Accessories

 For more information  
see page **104**


### Pressure plates with screws

**Properties:**

- Set = 6 pieces

Description	Size	Amps	Order-No.	PU	PG	Sur. Ag	Sur. Cu	Price €/pc.
1,5 - 16 mm <sup>2</sup>	00		<b>36169-0010</b>	1	NT IN 1			4,45
6 - 25 mm <sup>2</sup>	1		<b>36197-0010</b>	1	NT IN 1			8,90
6 - 25 mm <sup>2</sup>	2-3		<b>36199-0010</b>	1	NT IN 1			11,10

36197-0010



### Pressure plates with screws and contact prism

**Properties:**

- Set = 6 pieces

Description	Size	Amps	Order-No.	PU	PG	Sur. Ag	Sur. Cu	Price €/pc.
16 - 95 mm <sup>2</sup>	00		<b>36170-0010</b>	1	NT IN 1			13,25
35 - 150 mm <sup>2</sup>	1		<b>36198-0010</b>	1	NT IN 1			25,40
35 - 240 mm <sup>2</sup>	2-3		<b>36200-0010</b>	1	NT IN 1			37,60

36198-0010



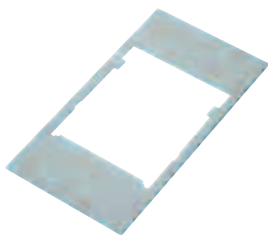
### Triple terminal 3 x 10 mm<sup>2</sup>

**Properties:**

- Set = 3 pieces

Description	Size	Amps	Order-No.	PU	PG	Sur. Ag	Sur. Cu	Price €/pc.
for 3 cable per phase up to 16 mm <sup>2</sup> , without conductor sleeve	00		<b>36171-0010</b>	1	NT IN 1			15,10

36171-0010



### Frame, normal

**Properties:**

- for NH Fuse-Switches 3-pole, 40563-0100 only for device 34050.....

Description	Size	Amps	Order-No.	PU	PG	Sur. Ag	Sur. Cu	Price €/pc.
Frame, normal for 34050.0000	000		<b>40563-0100</b>	1	NT IN 1			5,05
Frame, normal	00		<b>40573-0100</b>	1	NT IN 1			3,85
Frame, normal	1		<b>40586-0100</b>	1	NT IN 1			7,80
Frame, normal	2		<b>40587-0100</b>	1	NT IN 1			7,80
Frame, normal	3		<b>40588-0100</b>	1	NT IN 1			9,50

40573-0100



### Frame for use in combination with NH Fuse-Switches, vertical design, 3-pole switching vertical design on busbar systems 60 or 100 mm

Description	Size	Amps	Order-No.	PU	PG	Sur. Ag	Sur. Cu	Price €/pc.
Frame	1		<b>40646-0100</b>	1	NT IN 1			21,05
Frame	2		<b>31596-0100</b>	1	NT IN 1			28,75
Frame	3		<b>31597-0100</b>	1	NT IN 1			29,90

40646-0100

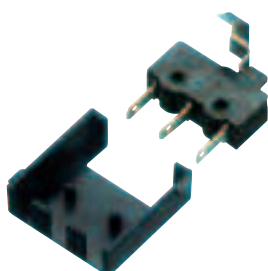
For more information  
see page **104**


31401-0100

**Contact shrouds to add**
**Properties:**

- for top or bottom, you have the possibility to add

Description	Size	Amps	Order-No.	PU	PG	Sur. Ag	Sur. Cu	Price €/pc.
Terminal cover, small version	000		<b>36954-0010</b>	1	NT SILAS			2,25
Terminal cover	00		<b>31401-0100</b>	1	NT IN 1			1,60
Terminal cover	1		<b>31438-0100</b>	1	NT IN 1			5,15
Terminal cover	2		<b>31428-0100</b>	1	NT IN 1			6,60
Terminal cover	3		<b>31429-0100</b>	1	NT IN 1			8,15



36174-0010

**Micro switch**
**Properties:**

- for position indicating

Description	Size	Amps	Order-No.	PU	PG	Sur. Ag	Sur. Cu	Price €/pc.
Micro switch, small version	000		<b>36959-0010</b>	1	NT SILAS			7,85
Micro switch for position indicating	000		<b>36107-0010</b>	1	NSL 5			5,35
Micro switch	00		<b>36174-0010</b>	1	NT IN 1			6,60
Micro switch	1-3		<b>85138-0100</b>	1	NT IN 1			6,40

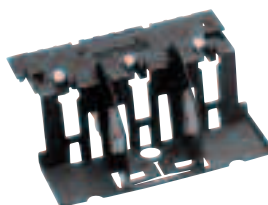


36145-0010

**Quick fixing set**
**Properties:**

- for use on 2 supporting rails for spacing 125 or 150 mm

Description	Size	Amps	Order-No.	PU	PG	Sur. Ag	Sur. Cu	Price €/pc.
Quick fixing set for use on 2 supporting rails	000		<b>36145-0010</b>	1	NT IN 1			2,30
Quick fixing set for size 000, small version	000		<b>36949-0010</b>	1	NT SILAS			4,45
Quick fixing set for use on 2 supporting rails	00		<b>36172-0010</b>	1	NT IN 1			5,60
Quick fixing set for use on 2 supporting rails	1		<b>36196-0010</b>	1	NT IN 1			7,80

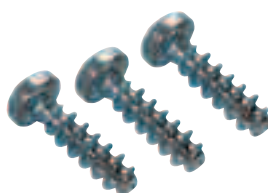


36175-0010

**Add-on kit for fuse-monitoring by NH Fuse-Links with striker, series IN**
**Properties:**

- In combination with NH Fuse-Links series 35207..... size 00

Description	Size	Amps	Order-No.	PU	PG	Sur. Ag	Sur. Cu	Price €/pc.
Add-on kit for fuse monitoring	00		<b>36175-0010</b>	1	NT IN 1			30,95
Multiple use terminal (screw M10)	1	250	<b>34162-0110</b>	1	NT IN 1	0,027	0,093	270,00
Multiple use terminal (screw M10)	2	400	<b>34262-0110</b>	1	NT IN 1	0,034	0,188	307,00
Multiple use terminal (screw M10)	3	630	<b>34362-0110</b>	3	NT IN 1	0,041	0,225	383,00



36969-0010

**Protection vs. power theaf**

Description	Size	Amps	Order-No.	PU	PG	Sur. Ag	Sur. Cu	Price €/pc.
protection vs. power theaf, Size 000 SILAS, small version	000		<b>36969-0010</b>	1	NT Silas			3,45
protection vs. power theaf, Size 00 IN (Set)	00		<b>36916-0010</b>	1	NT IN 1			4,05
protection vs. power theaf, Size 1-3 IN (Set)	1-3		<b>36930-0010</b>	1	NT IN 1			3,35

For more information  
 see page **104**


85371-0100

**Feeding devices**

Description	Size	Amps	Order-No.	PU	PG	Sur. Ag	Sur. Cu	Price €/pc.
Feeding device 2 X SILAS NH000	000		<b>90276-0100</b>	4	NT SILAS			30,00
Feeding device 3 X SILAS NH000	000		<b>90276-0200</b>	4	NT SILAS			33,00
Feeding device 4X SILAS	000		<b>90276-0300</b>	4	NT SILAS			35,00
Feeding device 5X SILAS	000		<b>90276-0400</b>	4	NT SILAS			45,00
Feeding clamp 25 - 95 mm <sup>2</sup> RM/SM SILAS NH000	000		<b>90277-0100</b>	3	NT SILAS			17,00
Feeding clamp 25 - 95 mm <sup>2</sup> (1 Set = 3 pieces)	000		<b>36163-0010</b>	1	NT IN 1			45,30
Feeding device for 2 switches	000		<b>85371-0100</b>	1	NT IN 1			26,50
feeding device for 3 switches	000		<b>85371-0200</b>	1	NT IN 1			32,00
Feeding device for 4 switches	000		<b>85371-0300</b>	1	NT IN 1			43,00
connecting device	000		<b>85372-0100</b>	1	NT IN 1			27,70
Cover for blank space	000		<b>85373-0100</b>	1	NT IN 1			2,80
Feeding device for 2 switches, devices for connecting with screws M8	00		<b>90280-0100</b>	4	NT SILAS			30,00
Feeding device for 3 switches, devices for connecting with screws M8	00		<b>90280-0200</b>	4	NT SILAS			36,00
Feeding device for 4 switches, devices for connecting with screws M8	00		<b>90280-0300</b>	4	NT SILAS			48,00
Feeding device for 5 switches, devices for connecting with screws M8	00		<b>90280-0400</b>	4	NT SILAS			60,00



## Product range overview

	Size 000 (small version)	Size 000	Size 00	Size 1	Size 2	Size 3	Size 3L	Size 4
NH Fuse-Switches for baseplate mounting or mounting onto supporting rails	•	•	•	•	•	•	•	•
Mounting onto supporting rails	•	•	•	•				
NH Fuse-Switches 1000V/1500V AC							•	
NH back pack fuse switches mid distance : busbar width:								
40 12			•	•				
60 12	•		•	•	•	•		
60 20	•		•	•	•	•		
60 30	•		•	•	•	•		
100				•	•	•		
NH Fuse-Switches with electrical fuse monitoring	•		•	•	•	•		•
NH Fuse-Switches with mechanical fuse monitoring			•	•	•	•		•
NH Fuse-Switches 4-pol.			•	•	•	•		•
NH Fuse-Switches 1-pol.			•					•

## Technical Data acc. to VDE 0660 T107/EN/IEC 60947-3

For NH Fuse-Links acc. to VDE 0660 T 2	Size	000	000/00	1	2	3	4a
Rated operational current $I_e$	A	100	160	250	400	630	1250 1600
Conventional free air thermic current $I_{th}$	A	160	160	250	400	630	1250 1600
Rated operational voltage $U_e$	V	690					
Rated insulation voltage $U_i$	V	690	800				
Rated impuls withstand voltage $U_{imp}$	kV	6	8				
Rated conditional short circuit current (when protected by NH Fuse-Links)	kA/400V	80	100	100	100 <sup>2)</sup>	100	50
conditional rated short circuit breaking capacity (when protected by NH Fuse-Links)	kA/690V	50					
Utilization category VDE 0660 T107/EN/IEC 60947-3	U <sub>e</sub> = 400V AC U <sub>e</sub> = 690V AC U <sub>e</sub> = 440V DC <sup>1)</sup>	AC-22B AC-21B DC-21B					
Mechanical durability	Cycles	2000	1600	1600	1000	1000	600
Permissible ambient temperature	-25°C up to +55°C						
Degree of protection DIN/EN 60529/VDE 0470 T1	IP 3X						
Maximum power dissipation of the NH Fuse-Links	P <sub>N</sub> max.	9	12	23	34	48	115 140
Weight without NH Fuse-Links	kg	0,425	0,5	2,0	3,25	5,3	14,0

<sup>2)</sup> Fitting of L<sub>1</sub> and L<sub>3</sub> 2-pole; 1-pole U<sub>e</sub> = 220 V DC.

<sup>2)</sup> with pull-in aid

## Conductor types and -sizes

Type of Terminal	Conductor Type		Size 000 (small version)	NH 000	NH 00	NH 1	NH 2	NH 3	4a	Size
Multiple use terminal (Screw terminal)	-	-	-	-	M8	M10	M10	M10	M12/M16	
Pressure plates with screws	CU	re rm/sm	-	-	1,5-16	1,5-16	-	-	-	mm <sup>2</sup>
Pressure plate with screws and contact prism	CU AL	re/rm/ se/sm	-	-	2-25	6-50	6-70	6-70	-	mm <sup>2</sup>
Box terminal	CU	rm/re se/sm	2,5-50	1,5-50	-	-	-	-	-	mm <sup>2</sup>
Triple terminal	CU	re rm	-	-	1,5-10	-	-	-	-	mm <sup>2</sup>
Flat conductor (With x High) ≤	-	-	-	-	10x6	16x15	21x15	21x15	-	mm

## Tightening torques for terminal and busbar mounting

Size	000 (small version)	NH 000	NH 00	NH 1	NH 2	NH 3	Gr. 4a
Type of Terminal	Tightening torques Nm						
Multiple use terminal (Screw terminal)	-	-	14	32	32	32	32 / 56
Pressure plates with screws	-	-	4	8	14	14	-
Pressure plate with screws and contact prism	-	-	4	8	14	14	-
Busbar contacting	4,5	-	6	10	10	14	-
Box terminal	4,5	3	3	-	-	-	-

## Connection of two cable lugs

Size	16 mm <sup>2</sup>	25 mm <sup>2</sup>	35 mm <sup>2</sup>	50 mm <sup>2</sup>	70 mm <sup>2</sup>	95 mm <sup>2</sup>	120 mm <sup>2</sup>	150 mm <sup>2</sup>	185 mm <sup>2</sup>	240 mm <sup>2</sup>	300 mm <sup>2</sup>
00	2 x	2 x	2 x	2 x		-	-	-	-	-	-
1	2 x	2 x	2 x	2 x	2 x	2 x	2 x	2 x	2 x	-	-
2	-	-	-	-	-	-	-	2 x	2 x	2 x	2 x
3	-	-	-	-	-	-	-	2 x	2 x	2 x	2 x

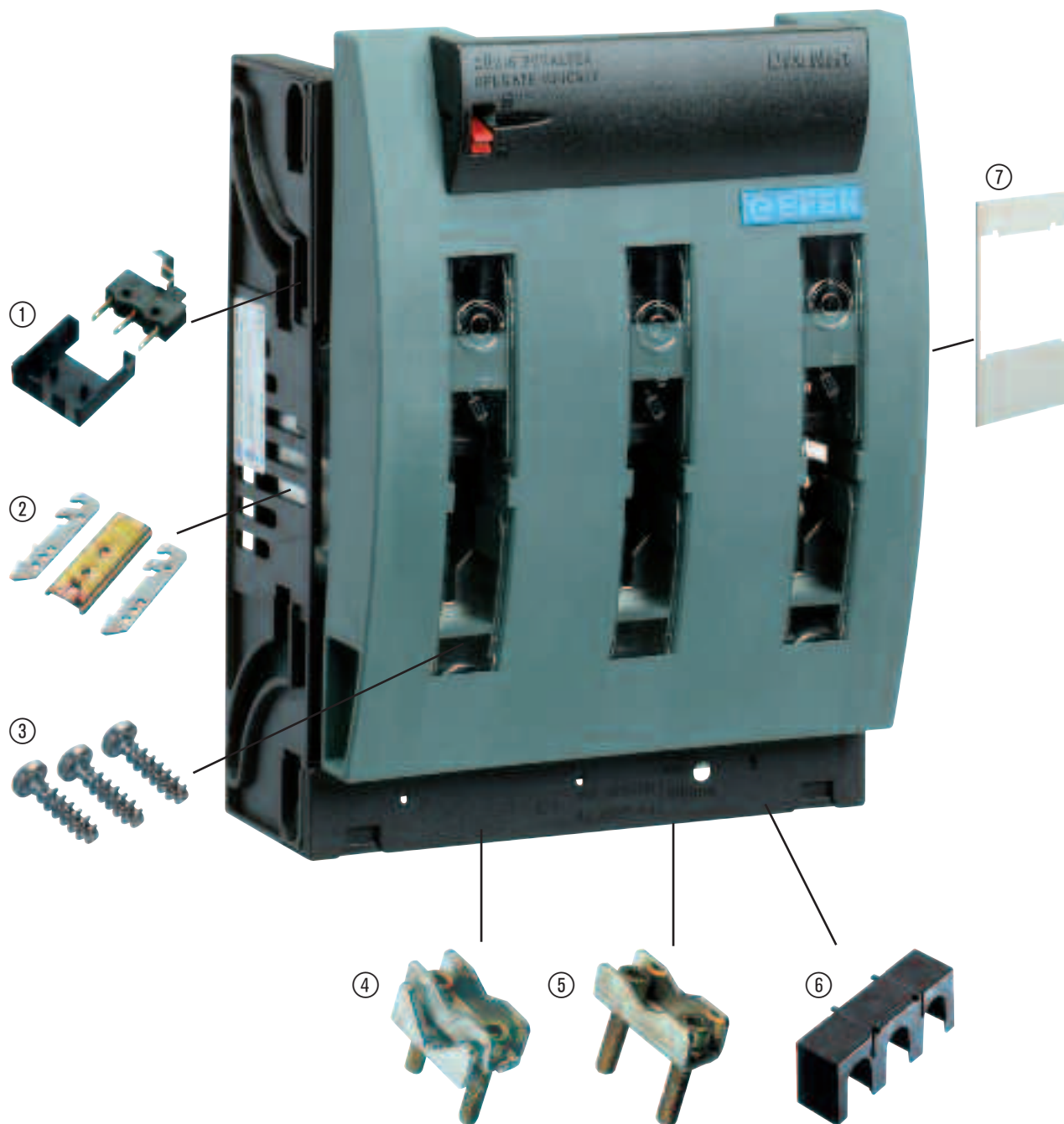
For verification of this table, cable lugs according to DIN 46235 were used. Other common cable lugs may have different dimensions, but are most likely connectable.

Accessories for size 00



- ① 36174-0010 micro switch
- ② 36172-0010 quick fixing set
- ③ 36916-0010 protection vs. power theft
- ④ 36171-0010 triple terminal 3x10 mm<sup>2</sup>
- ⑤ 36170-0010 pressure plates with screws and contact prism
- ⑥ 36169-0010 pressure plates with screws
- ⑦ 31401-0100 terminal cover
- ⑧ 36175-0010 add-on kit for fuse-monitoring for fuse-links with striker

Accessories for size 1- 3

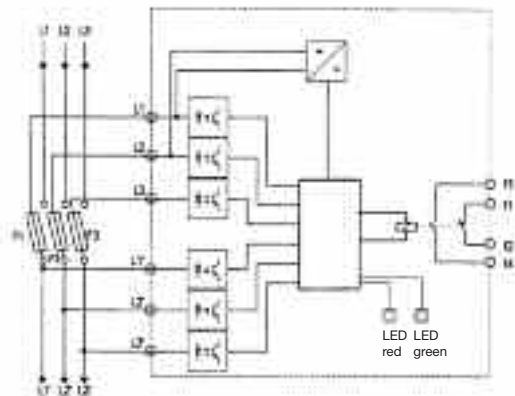


NT-IN

- ① 85138-0100 micro switch
- ② 36196-0010 quick fixing set
- ③ 36930-0010 protection vs. power theft
- ④ 36198-0010 pressure plates with screws and contact prism
- ⑤ 36197-0010 pressure plates with screws
- ⑥ 31401-0100 terminal cover
- ⑦ 40646-0100 frame

**Electronical fuse monitoring for size 00 - 4a**

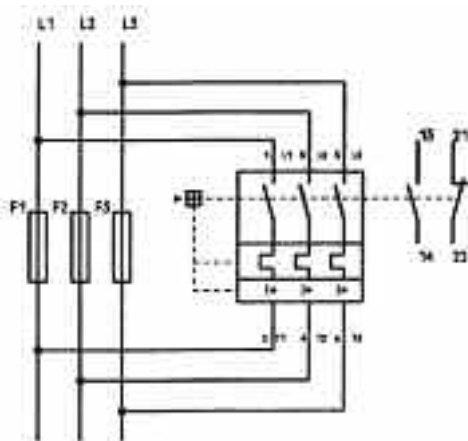
- Switch position indicator with micro switch possible
- LED-indicator to indicate "ready for operation"
- Possibility for remote indication of broken fuse-links
- No separate auxiliary power supply required



Technical details	
Rated operational voltage $U_e$	AC 400 V – AC 690 V
Rated insulation voltage $U_i$	800 V
Rated impuls withstand voltage $U_{imp}$	6 kV
Rated conditional short circuit current (with protection by NH Fuses)	50 kA
Permissible ambient temperatur	-20 up to +55 °C
Rated frequency	50/60 Hz
Delay time	< 0,5 s
Function	From 75 V voltage drop/ up to 85 % reverse voltage
Display elements	Operation voltage indication: green LED Fuse-Link released: red LED
Alarm output	Relais with opening and making contact. Secure isolation from supply acc. EN 50178
Rated voltage/current alarm output	AC 250 V/DC 24 V 3 mA .... 2 A

**Mechanical fuse monitoring with circuit breaker**

- Indication of status "ready for operation"
- Possibility for remote indication of broken fuse-links
- No separate auxiliary power supply required



Technical details	
Rated operational voltage $U_e$	AC 24 V – AC 690 V 50/60 Hz DC 24 V – DC 250 V
Rated insulation voltage $U_i$	690 V
Rated impuls withstand voltage $U_{imp}$	6 kV
Rated conditional short circuit current (with protection by NH Fuses)	50 kA
Permissible ambient temperatur	-20 up to +55 °C
Delay time	< 0,5 s
Function	From 24 V voltage drop
Display elements	Ready for operation: handle display "I" Error message: handle display "0"
Alarm output	Auxiliary switch 1 opening + 1 making contact
Rated voltage	AC 24 V   AC 230 V   DC 24 V   DC 60 V
Rated current	2 A   0,5 A   1 A   0,15 A

**Electronical fuse monitoring for size 000, small version**

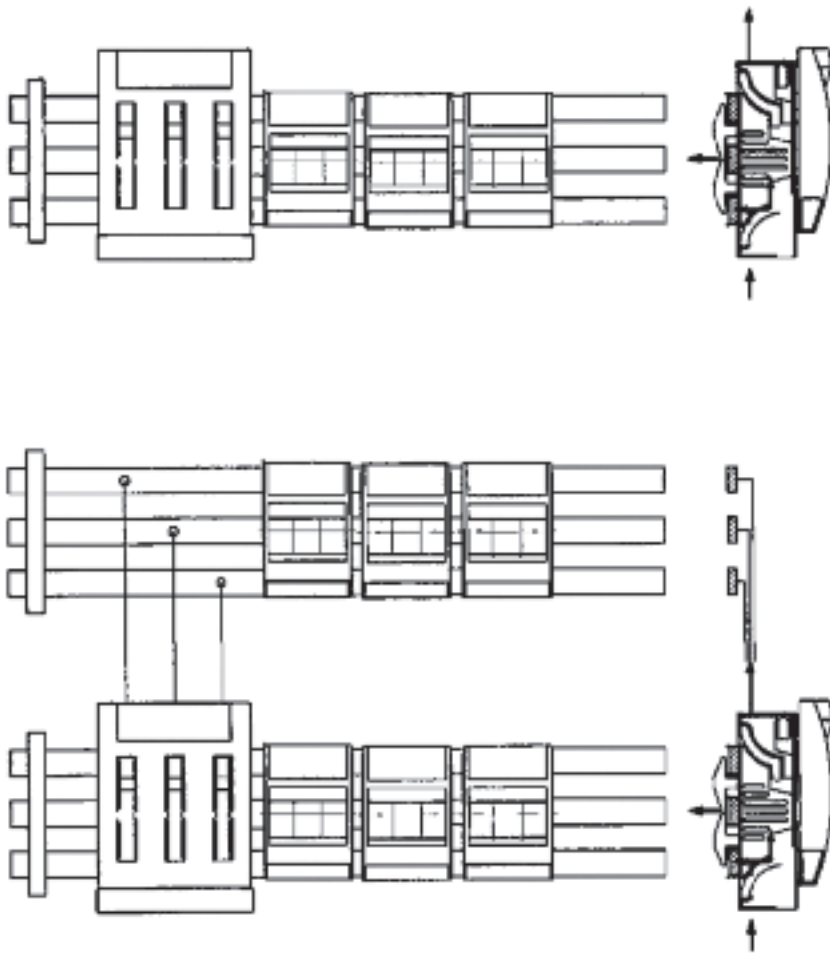
- Indication of fault-free operation by green LED
- Fault-indication by red LED
- No auxiliary power supply required
- Remote indication via 4-pole plug by 1 n/o and one n/c switch
- Monitoring of all fuses; red LED flashes in case of failure
- Automatic reset after replacement of defective fuse(s)
- Independent of supply side

Technical details	
<b>Rated operational voltage <math>U_e</math></b>	AC 400 V – AC 500 V 50/60 Hz / DC 220 V
<b>Rated insulation voltage <math>U_i</math></b>	800 V
<b>Rated impuls withstand voltage <math>U_{imp}</math></b>	3 kV
<b>Rated conditional short circuit current (with protection by NH Fuses)</b>	50 kA
<b>Permissible ambient temperatur</b>	-20 up to +55 °C
<b>Rated frequency</b>	< 0,5 s
<b>Delay time</b>	voltage drop
<b>Function</b>	Operation voltage indication: green LED Fuse-Link released: red LED
<b>Display elements</b>	Relais with opening and making contact. Secure isolation from supply acc. EN 50178
<b>Alarm output</b>	AC 250 V/DC 30 V max. 5 A



Busbar feeder

Additional fuse outlets



NH Fuse-Switches IN  
 Accessories

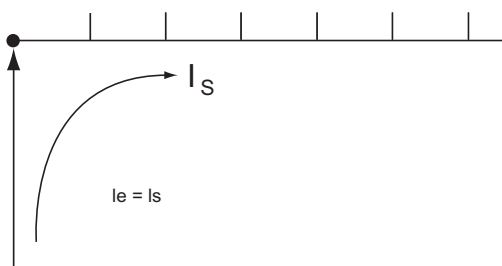
## Technical data

Technical data acc. DIN EN 60947 1 VDE 0660 T100 / IEC 60947 1:2004 for the size 000, small version and size 00

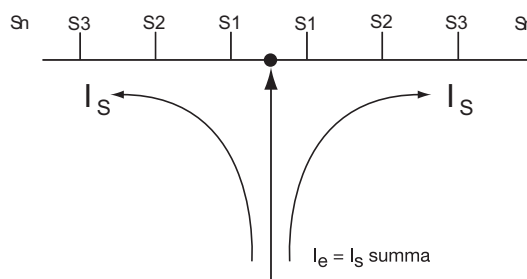
<b>Description</b>		
<b>Materials</b>	Bus bar	E – Cu 58 F25
	Insulation	PC/ABS extruding - leight gray RAL 7035
	Endcap	PC/ABS injected light gray RAL 7035
	protection cover	PA66 V0 injected light gray RAL 7035
<b>Temperature range</b>	PC / ABS extruding	VST B 120 – ISO 306 = 113°C-UL94-VO/1,5
	PC / ABS injected	VST B 120 – ISO 306 = 138°C – UL94-V01,6
<b>Isolation coordination</b>	over voltage category III currosion grad 2	
<b>Electric strength</b>	PC / ABS	> 32 kV / mm
<b>Impulse withstand voltage</b>	=> 6,0kV (1kV/mmLS)	
<b>Minimum aeral distance</b>	> 8 mm	
<b>Minimum creeping distance</b>	> 8,5 mm	
<b>Maximum operating voltage</b>	690 V AC / 440 V DC	
<b>Nominal operating voltage</b>	415 V	
<b>Short circuit strength</b>	12,5 kA – 100 ms / 400 V	

Loading capacity with 35°C ambient temperature in dependance from the incoming feeder

Busbar block length (m)	Max. 1	Max. 0,3
<b>Busbar cross section</b>	35 mm <sup>2</sup>	35 mm <sup>2</sup>
<b>Supply at the busbar start or end</b>	125 A	200 A
<b>Maximum busbar current Is/Phase</b>	125 A	200 A
<b>Connecting cross section</b>	35 mm <sup>2</sup>	2x35 mm <sup>2</sup>
<b>Other frequencise</b>		
<b>Max. busbar current Is/Phase</b>	160 A	260 A
<b>Connected cross section</b>	2x35 mm <sup>2</sup>	95 mm <sup>2</sup>
<b>Feeding busbar for 000</b>	-	2 - 5
<b>Feeding busbar for 00</b>	4 – 5 fold	2 - 3



connection at the busbar start or end



other connections

pay attention when using mid incomming feeder that the total sum of the outgoing feeder S1.....Sn for each busbar section is not larger than the above mentioned busbar current Is/Phase

**For baseplate mounting**

Description	Size	Amps I <sub>th</sub>	Order no.	Description	Pack	Weight
Box terminal 1,5–50 mm <sup>2</sup>	000	160	34050-0000	NH-Latr 000 R4R4	10	0,422
Box terminal 2,5–50 mm <sup>2</sup> , small version	000	100	34040-0000	NH-LATR 000IN R4R4	1	0,468

**For mounting onto supporting rails**

Description	Size	Amps I <sub>th</sub>	Order no.	Description	Pack	Weight
Box terminal 1,5–50 mm <sup>2</sup>	000	160	34050-0070	NH-Latr 000 HB R4R4	10	0,42

**For baseplate mounting**

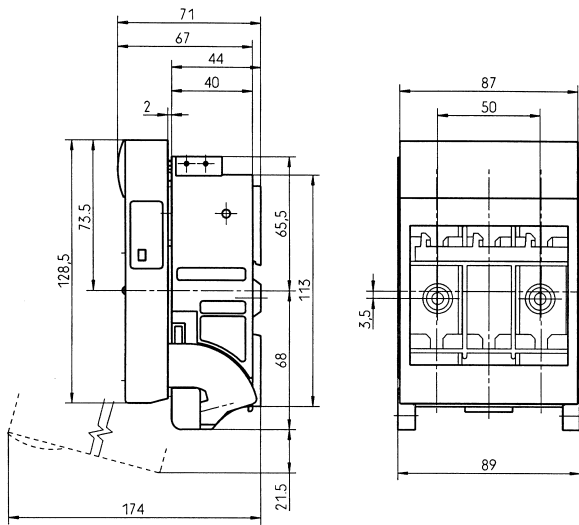
Description	Size	Amps I <sub>th</sub>	Order no.	Description	Pack	Weight
Multiple use terminal (screw M8)	00	160	34060-0000	NH-Latr 00IN U5U5	10	0,54
Box terminal 1,5–50 mm <sup>2</sup>	00	125	34065-0000	NH-Latr 00IN R2R2	10	0,48
V-clamp 35–70 mm <sup>2</sup>	00	160	34067-0000	NH-Latr 00IN V2V2 <sup>1)</sup>	7	0,75

<sup>1)</sup> with additional contact shroud

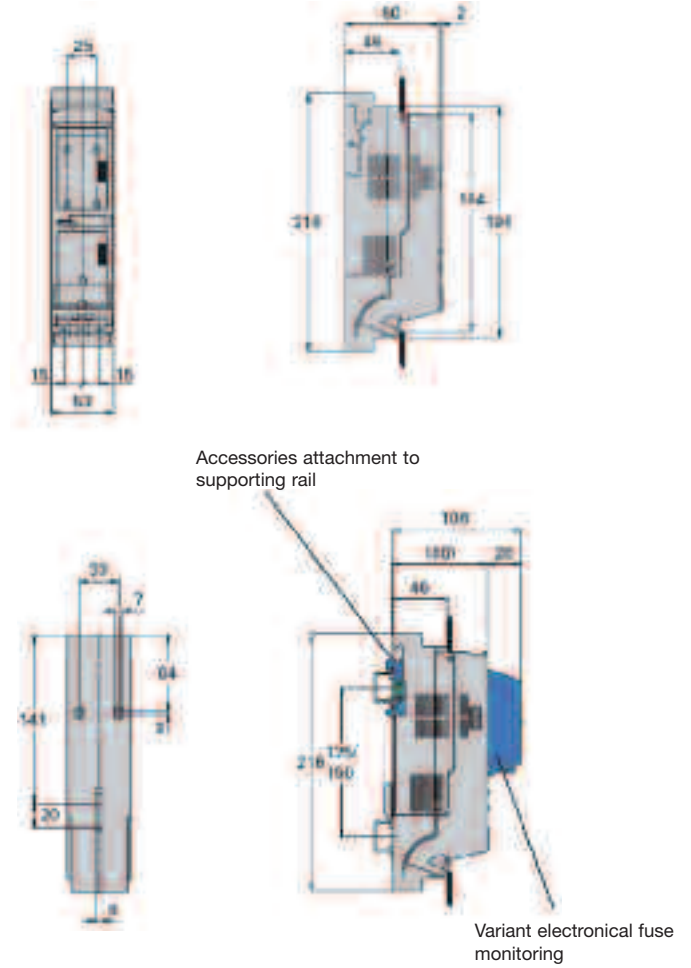
**For mounting onto supporting rails**

Description	Size	Amps I <sub>th</sub>	Order no.	Description	Pack	Weight
Multiple use terminal (screw M8)	00	160	34060-0070	NH-Latr 00IN HB U5U5	10	0,60
Box terminal 1,5–50 mm <sup>2</sup>	00	125	34065-0070	NH-Latr 00IN HB R2R2	10	0,55

Size 000

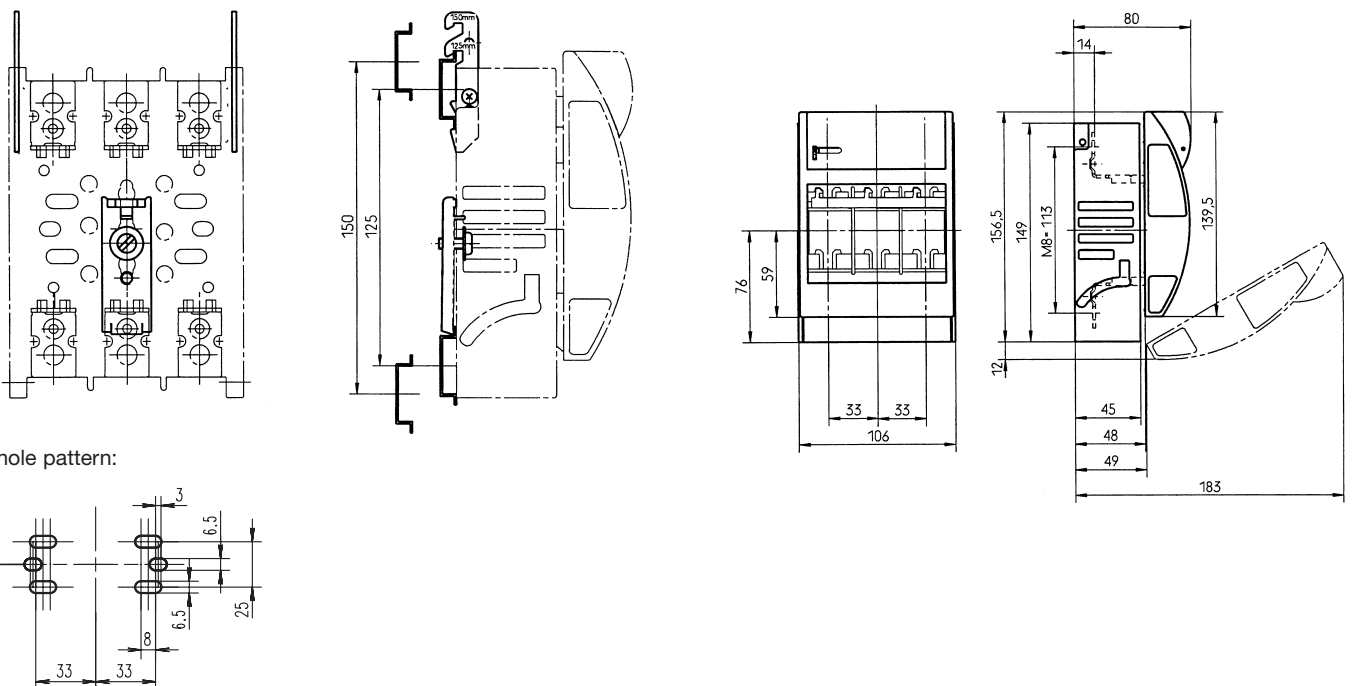


Size 000, small version



NT-IN

Size 00



## For baseplate mounting

Description	Size	Amps I <sub>th</sub>	Order no.	Description	Pack	Weight
Multiple use terminal (screw M10)	1	250	34162-0000	NH-Latr 1IN U2U2	1	2,10

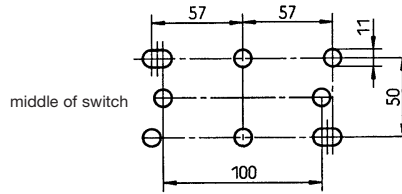
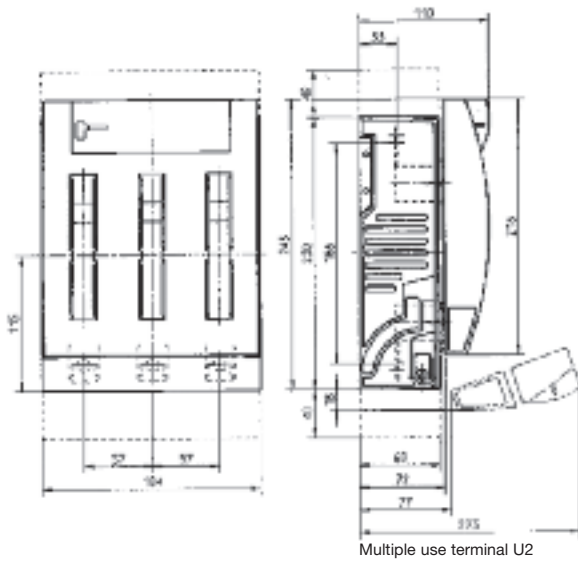
## For baseplate mounting

Description	Size	Amps I <sub>th</sub>	Order no.	Description	Pack	Weight
Multiple use terminal (screw M10)	2	400	34262-0000	NH-Latr 2IN U2U2	1	3,25

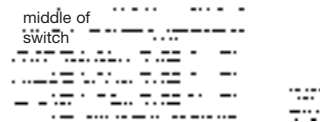
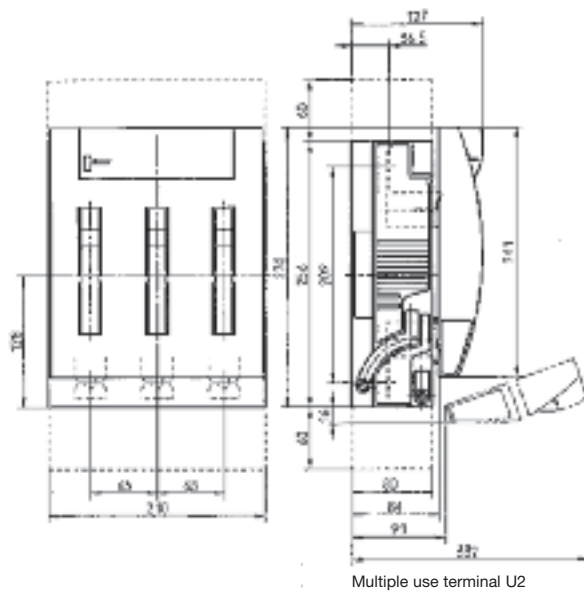
## For baseplate mounting

Description	Size	Amps I <sub>th</sub>	Order no.	Description	Pack	Weight
Multiple use terminal (screw M10)	3	630	34362-0000	NH-Latr 3IN U2U2	1	5,30
Screw terminal M12	3	630kVA	34360-1000	NH-Latr 3IN 630kVA G6G6	1	3,522

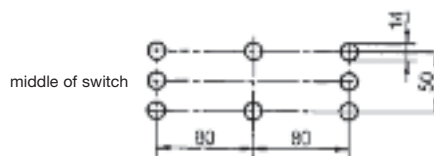
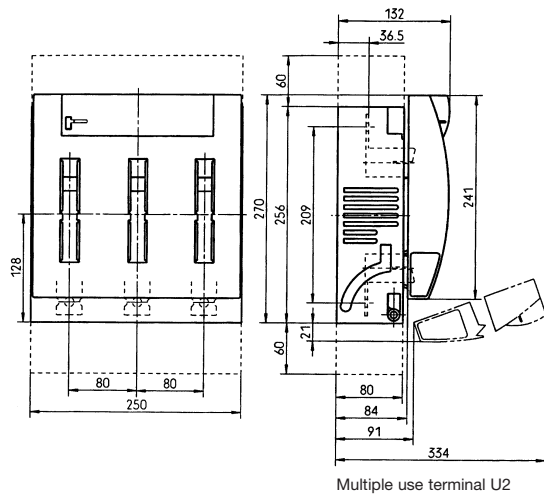
Dimensions drawings Size 1, 250 A



Dimensions drawings Size 2, 400 A



Dimensions drawings Size 3, 630 A





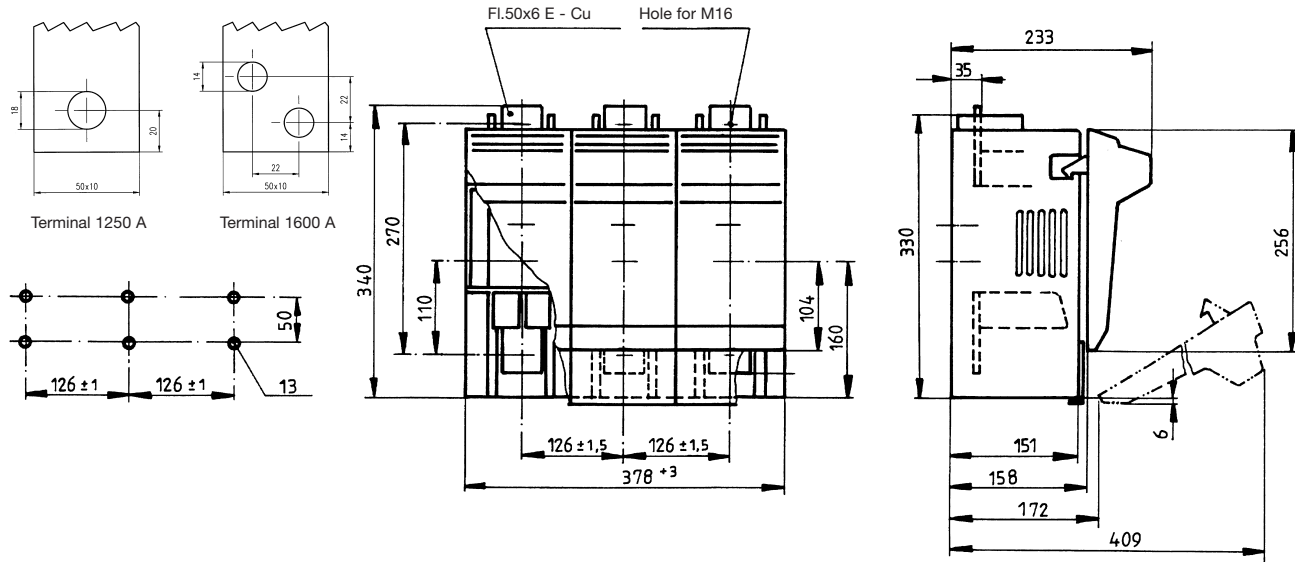
For baseplate mounting:

Description	Size	Amps I <sub>th</sub>	Order no.	Description	Pack	Weight
<b>Screw terminal M16 top and bottom</b> 1-pole switching 3-pole switching	4a	1250	34400-0000	NH-Latr 4A EP L8L8	1	12,65
	4a	1250	34400-1010	NH-Latr 4A 3P L8L8	1	12,80
<b>Screw terminal 2 x M12 top and bottom</b> 1-pole switching 3-pole switching	4a	1600	34400-1040	NH-Latr 4A EP 1600A L6L6	1	14,00
	4a	1600	34400-1050	NH-Latr 4A 3P 1600A L6L6	1	14,15

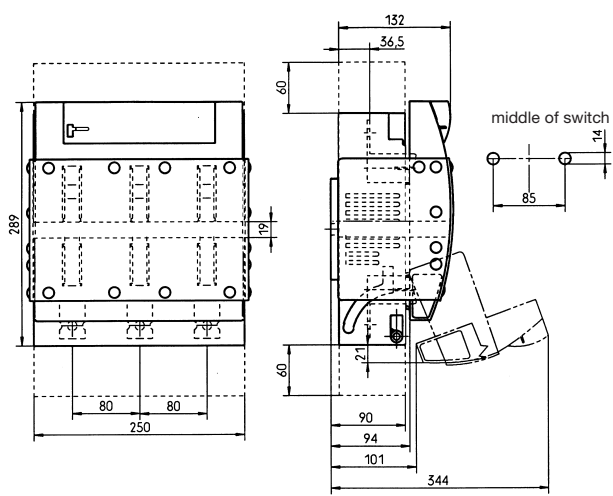
Description	Size	Amps I <sub>th</sub>	Order no.	Description	Pack	Weight
<b>Multiple use terminal (screw M10)</b>	3	500	34762-1020	NH-Latr 3 IN 1000V 500A U2U2	1	5,30

Description	Size	Amps I <sub>th</sub>	Order no.	Description	Pack	Weight
<b>Multiple use terminal (screw M10)</b>	3L	500	34762-1010	NH-Latr 3L IN 1500V 500A U2U2	1	5,30

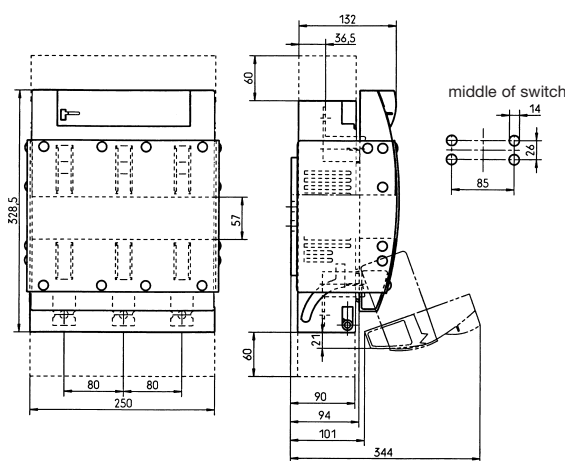
Dimensions drawings Size 4a, 1250/1600 A, dimensions drawings 1250 A  
 Connection with busbar 60 x 10 mm possible



Dimensions drawings Size 3, 500 A/1000 V



Size 3L, 500 A/1500 V

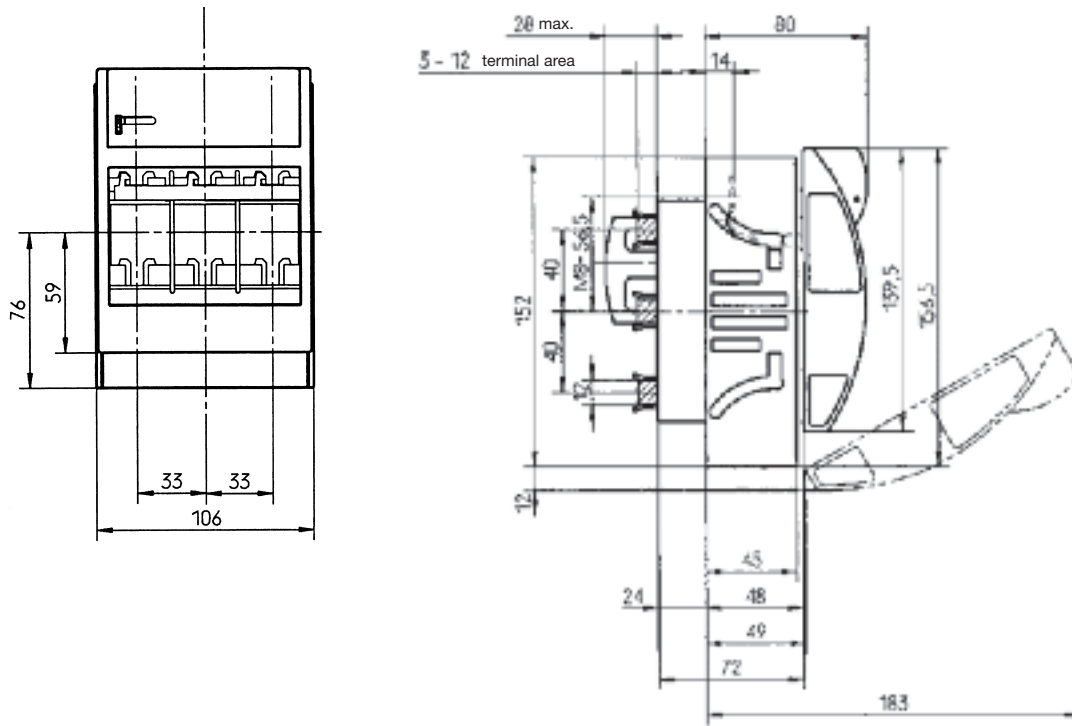


**Busbar system 40/12, plug-on contacting**

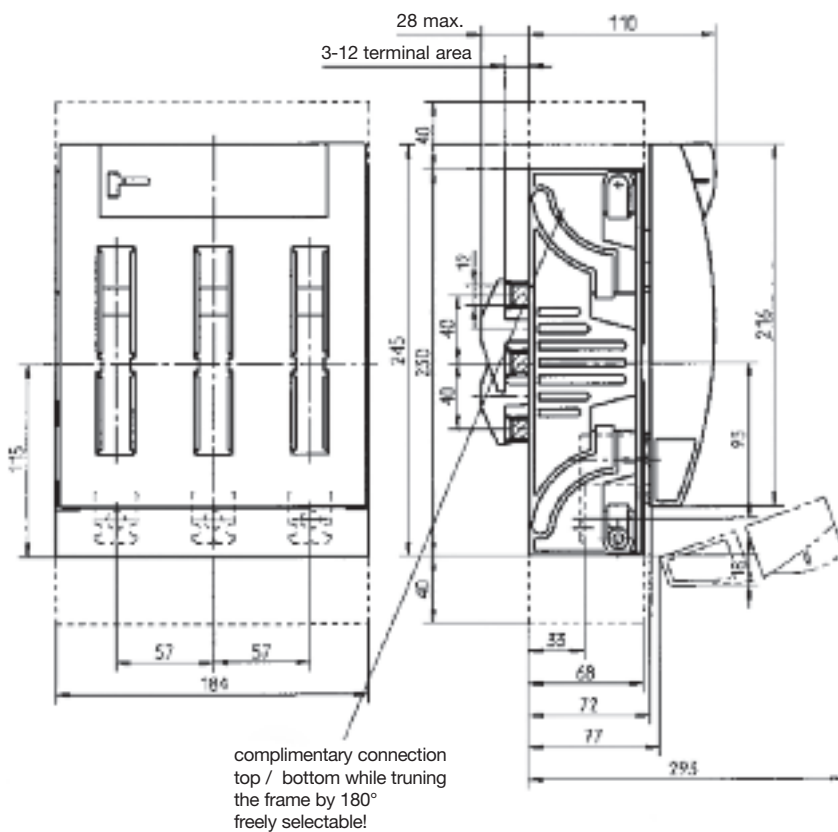
Description	Size	Amps I <sub>th</sub>	Order no.	Description	Pack	Weight
Multiple use terminal (screw M8)	00	160	39600-0000	NH-Latr S 00IN A U5K81	2	0,59
Box terminal 1,5–50 mm <sup>2</sup>	00	125	39605-0000	NH-Latr S 00IN A R2K81	2	0,56

Description	Size	Amps I <sub>th</sub>	Order no.	Description	Pack	Weight
Multiple use terminal (screw M10)	1	250	39402-5000	NH-Latr S 1IN A K91U2	1	2,30

Dimensions drawings Size 00, 125/160 A



Dimensions drawings Size 1, 250 A



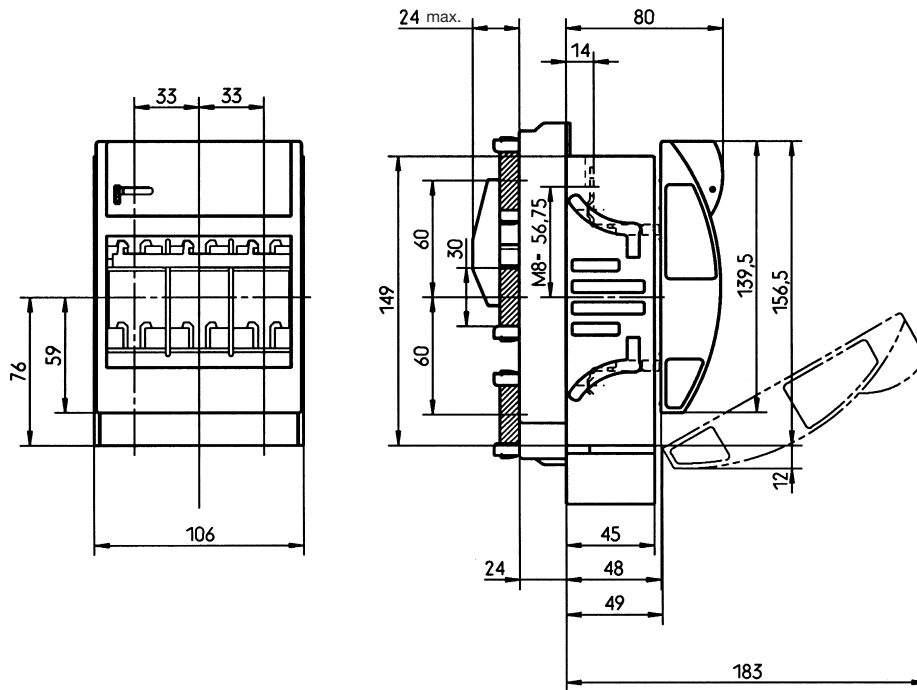
## NH Fuse-Switches for busbar systems 60 mm, plug-on contacting

Description	Size	Amps I <sub>th</sub>	Order no.	Description	System	Pack	Weight
Multiple use terminal (screw M8)	00	160	39610-2000	NH-Latr SD 00IN F K41U5	60/12	2	0,90
Box terminal 1,5–50 mm <sup>2</sup>	00	125	39615-2000	NH-Latr SD 00IN F K41R2	60/12	2	0,90
Multiple use terminal (screw M10)	1	250	39417-5000	NH-Latr S 1IN F K91U2	60/12	1	2,40
Multiple use terminal (screw M8)	00	160	39620-2000	NH-Latr SD 00IN H K41U5	60/20	2	0,90
Box terminal 1,5–50 mm <sup>2</sup>	00	125	39625-2000	NH-Latr SD 00IN H K41R2	60/20	2	0,90
Multiple use terminal (screw M10)	1	250	39420-5000	NH-Latr S 1IN H K91U2	60/20	1	2,40
Multiple use terminal (screw M8)	00	160	39630-2000	NH-Latr SD 00IN M K41U5	60/30	2	0,90
Box terminal 1,5–50 mm <sup>2</sup>	00	125	39635-2000	NH-Latr SD 00IN M K41R2	60/30	2	0,90
Multiple use terminal (screw M10)	1	250	39424-5000	NH-Latr S 1IN M K91U2	60/30	1	2,40

## Busbar feeding for busbar systems 40 and 60 mm centre distance, plug-on contacting

Description	Size	Amps I <sub>th</sub>	Order no.	Description	System	Pack	Weight
Multiple use terminal (screw M10)	1	250	39440-5000	NH-Latr SE U2 1IN F K91U2	60/12	1	2,40
Multiple use terminal (screw M10)	1	250	39450-5000	NH-Latr SE U2 1IN H K91U2	60/20	1	2,40
Multiple use terminal (screw M10)	1	250	39470-5000	NH-Latr SE U2 1IN M K91U2	60/30	1	2,40
Multiple use terminal (screw M10) busbar incoming feeder	1	250	39430-5000	NH-Latr SE U2 1IN A K91U2	40/12	1	2,40

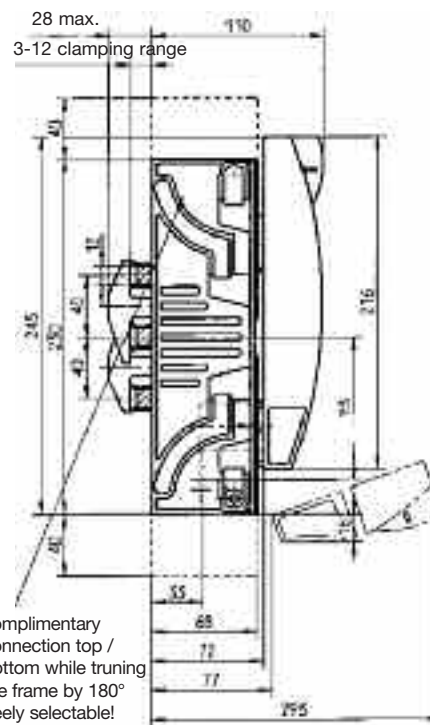
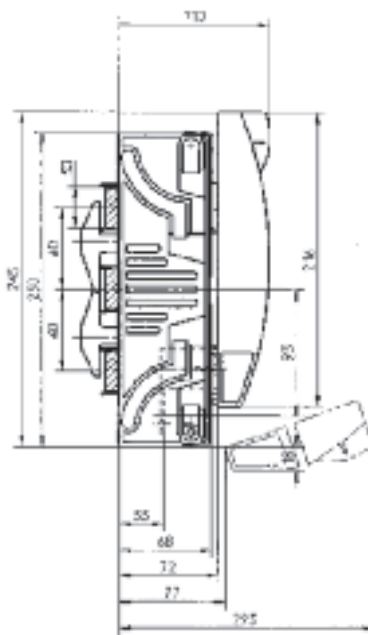
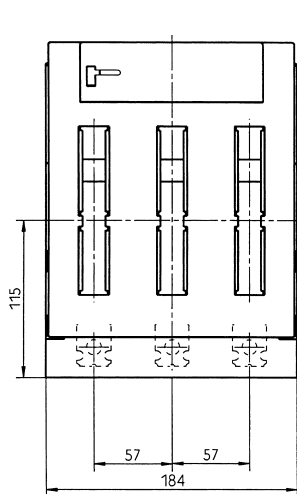
Dimensions drawings Size 00, 125/160 A



Dimensions drawings Size 1, 250 A

60er busbar

40er busbar



complimentary connection top / bottom while truning the frame by 180° freely selectable!

NT-IN



## NH Fuse-Switches for busbar system 60 mm centre distance, hook contacting

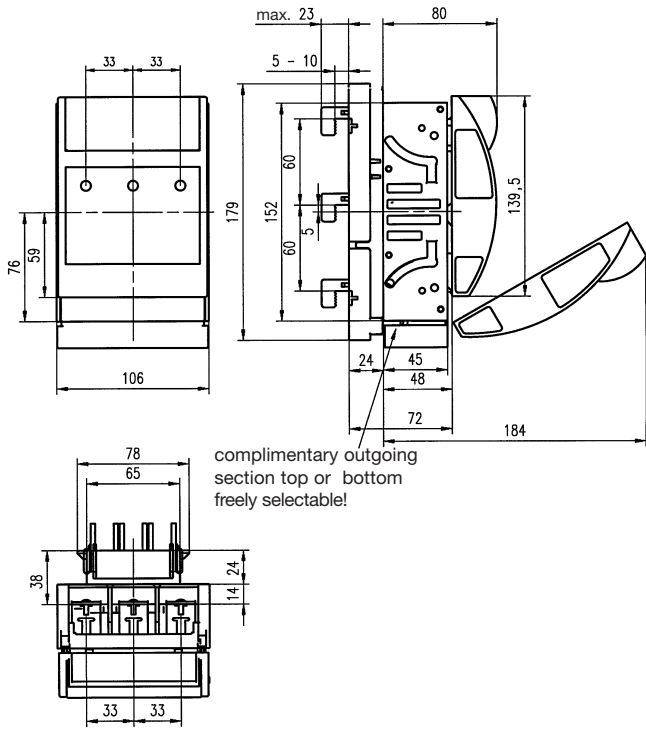
## Branch top

Description	Size	Amps I <sub>th</sub>	Order no.	Description	Pack	Weight
Multiple use terminal (screw M8)	00	160	39660-0000	NH-Latr SB 00IN 60 U5K43	2	0,90
Multiple use terminal (screw M10)	1	250	39212-0000	NH-Latr SB 1IN 60 U2K92	1	2,50
Multiple use terminal (screw M10)	2	400	39222-0000	NH-Latr SB 2IN 60 U2K92	1	3,25
Multiple use terminal (screw M10)	3	630	39232-0000	NH-Latr SB 3IN 60 U2K92	1	5,30

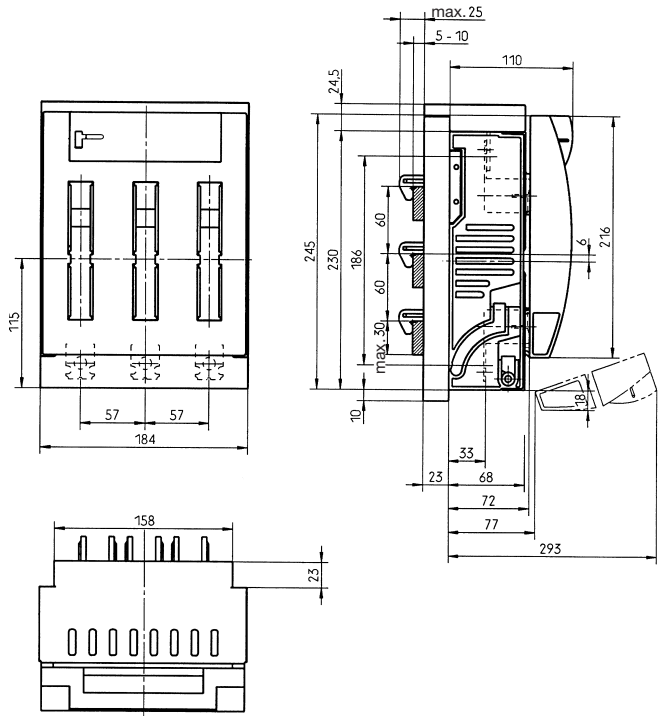
## Branch bottom

Description	Size	Amps I <sub>th</sub>	Order no.	Description	Pack	Weight
Box terminal 1,5–50 mm <sup>2</sup>	00	125	39665-2000	NH-Latr SB 00IN 60 K43R2	2	0,90
Multiple use terminal (screw M8)	00	160	39660-2000	NH-Latr SB 00IN 60 K43U5	2	0,90
Multiple use terminal (screw M10)	1	250	39212-2000	NH-Latr SB 1IN 60 K92U2	1	2,50
Multiple use terminal (screw M10)	2	400	39222-2000	NH-Latr SB 2IN 60 K92U2	1	3,25
Multiple use terminal (screw M10)	3	630	39232-2000	NH-Latr SB 3IN 60 K92U2	1	5,30

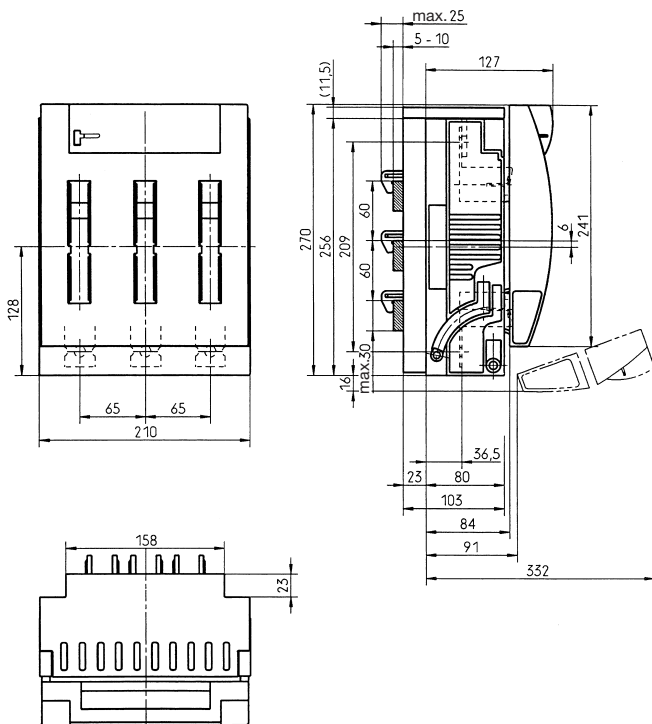
Dimensions drawings Size 00, 160 A



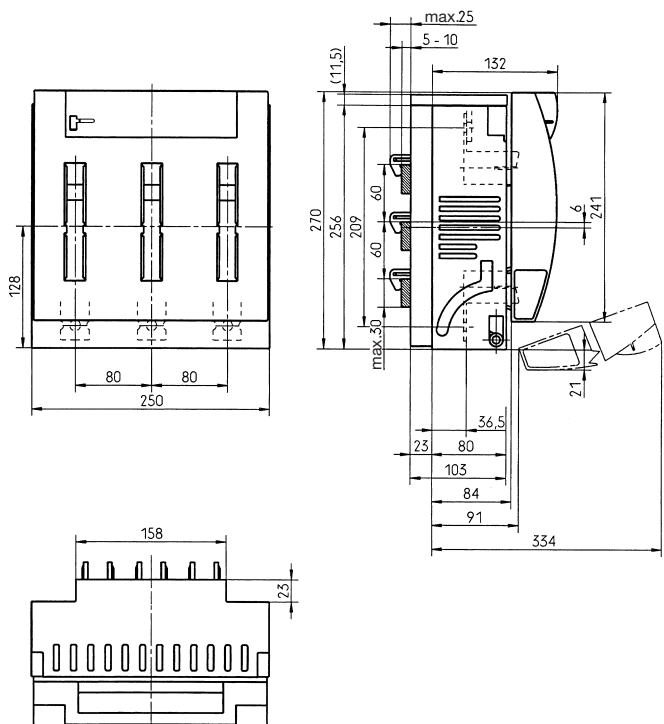
Dimensions drawings Size 1, 250 A



Dimensions drawings Size 2, 400 A



Dimensions drawings Size 3, 630 A



NT-IN

## NH Fuse-Switches IN

### Technical data

NH Fuse-Switches for busbar system 100 mm centre distance, hook contacting

#### Branch top

Description	Size	Amps I <sub>th</sub>	Order no.	Description	Branch cable	Pack	Weight
Multiple use terminal (screw M10)	1	250	39212-5000	NH-Latr SB 1IN 100 U2K93	Top	1	2,50
Multiple use terminal (screw M10)	2	400	39222-5000	NH-Latr SB 2IN 100 U2K93	Top	1	3,25
Multiple use terminal (screw M10)	3	630	39232-5000	NH-Latr SB 3IN 100 U2K93	Top	1	5,30

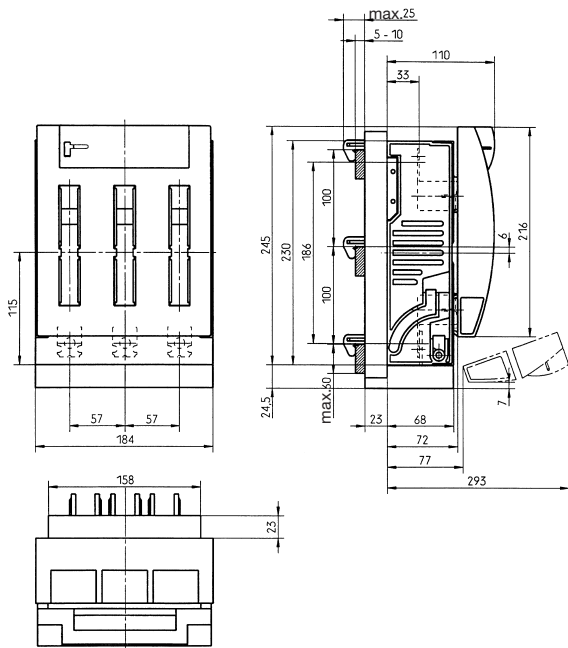
#### Branch bottom

Description	Size	Amps I <sub>th</sub>	Order no.	Description	Branch cable	Pack	Weight
Multiple use terminal (screw M10)	1	250	39212-7000	NH-Latr SB 1IN 100 K93U2	Bottom	1	2,50
Multiple use terminal (screw M10)	2	400	39222-7000	NH-Latr SB 2IN 100 K93U2	Bottom	1	3,25
Multiple use terminal (screw M10)	3	630	39232-7000	NH-Latr SB 3IN 100 K93U2	Bottom	1	5,30

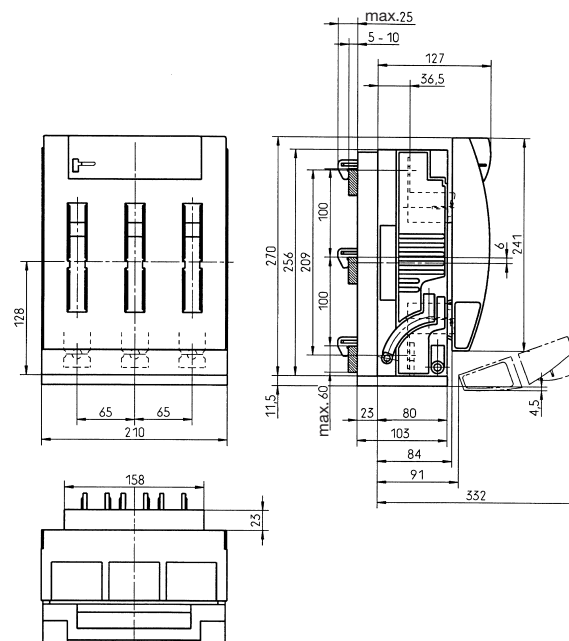
The frames in the table are for use of NH fuse-switches horizontal design series IN next to NH fuse-switch vertical design size 00 series IN in busbar systems with 60 mm and 100 mm distance.

Size	Order no.	Description	Pack
1	40646-0100	Frame Size 1IN	1
2	31596-0100	Frame Size 2IN	1
3	31597-0100	Frame Size 3IN	1

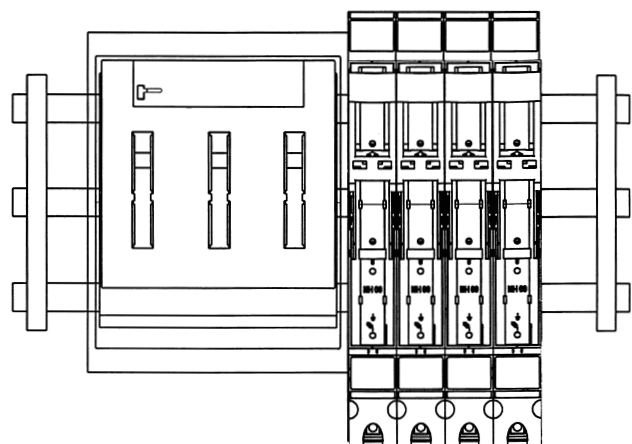
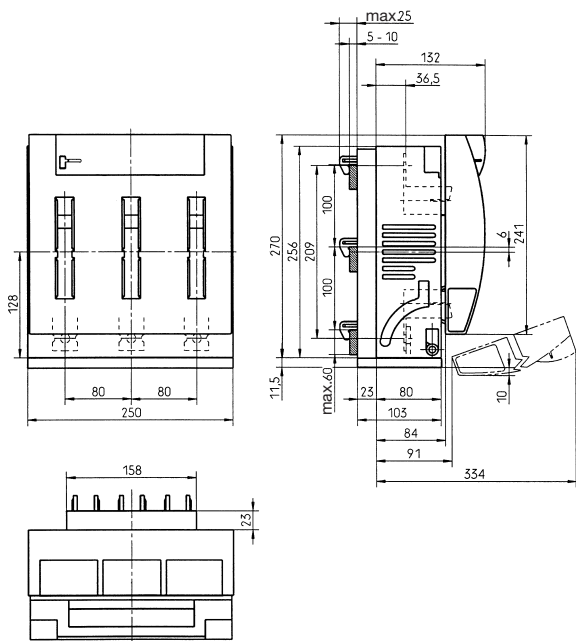
Dimensions drawings Size 1, 250 A



Dimensions drawings Size 2, 400 A



Dimensions drawings Size 1, 250 A



NT-IN

## NH Fuse-Switches baseplate mounting with electronical fuse monitoring

Description	Size	Amps I <sub>th</sub>	Order no.	Description	Branch	Feeding	Pack	Weight
Multiple use terminal (screw M8)	00	160	34060-0130	NH-Latr 00IN ESF AU MA U5U5	Bottom	Top	1	0,54
Multiple use terminal (screw M8)	00	160	34060-0131	NH-Latr 00IN ESF AO MA U5U5	Top	Bottom	1	0,54

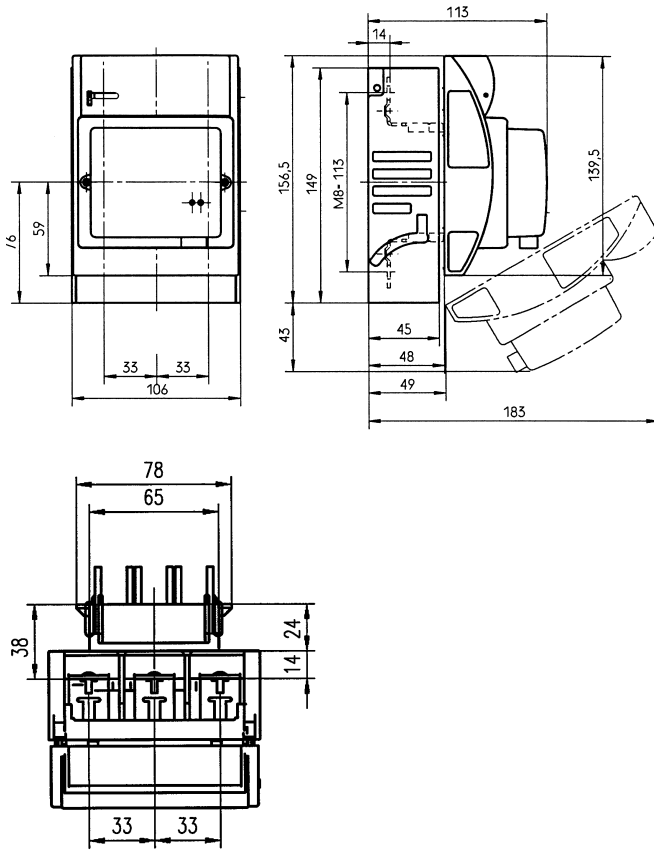
Description	Size	Amps I <sub>th</sub>	Order no.	Description	Branch	Feeding	Pack	Weight
Multiple use terminal (screw M10)	1	250	34162-0130	NH-Latr 1 IN ESF AU MA U2U2	Bottom	Top	1	2,10
Multiple use terminal (screw M10)	1	250	34162-0131	NH-Latr 1 IN ESF AO MA U2U2	Top	Bottom	1	2,10

Description	Size	Amps I <sub>th</sub>	Order no.	Description	Branch	Feeding	Pack	Weight
Multiple use terminal (screw M10)	2	400	34262-0130	NH-Latr 2IN ESF AU MA U2U2	Bottom	Top	1	3,25
Multiple use terminal (screw M10)	2	400	34262-0131	NH-Latr 2 IN ESF AO MA U2U2	Top	Bottom	1	3,25

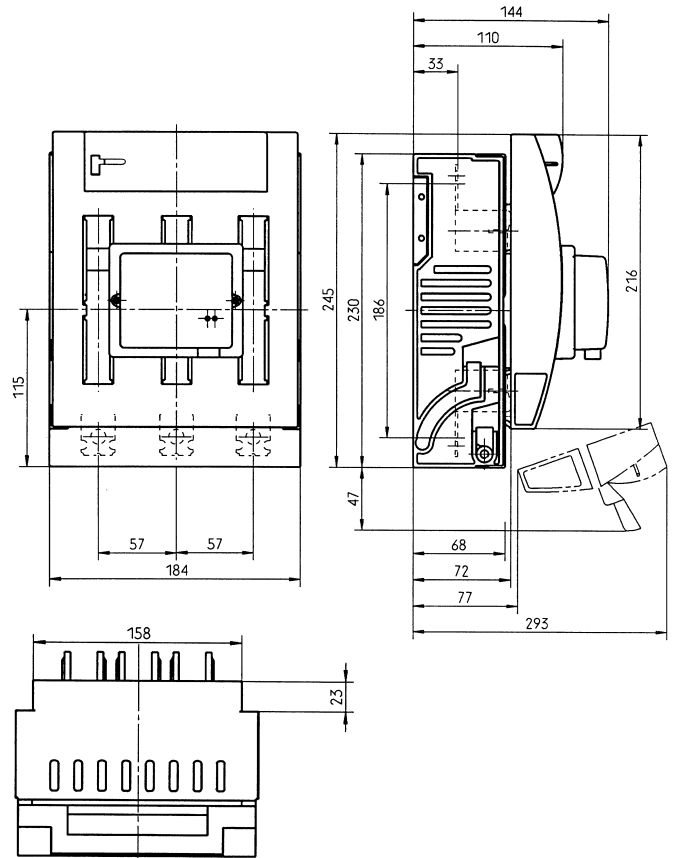
Description	Size	Amps I <sub>th</sub>	Order no.	Description	Branch	Feeding	Pack	Weight
Multiple use terminal (screw M10)	3	630	34362-0130	NH-Latr 3IN ESF AU MA U2U2	Bottom	Top	1	5,30
Multiple use terminal (screw M10)	3	630	34362-0131	NH-Latr 3IN ESF AO MA U2U2	Top	Bottom	1	5,30

Devices for busbar mounting on demand.

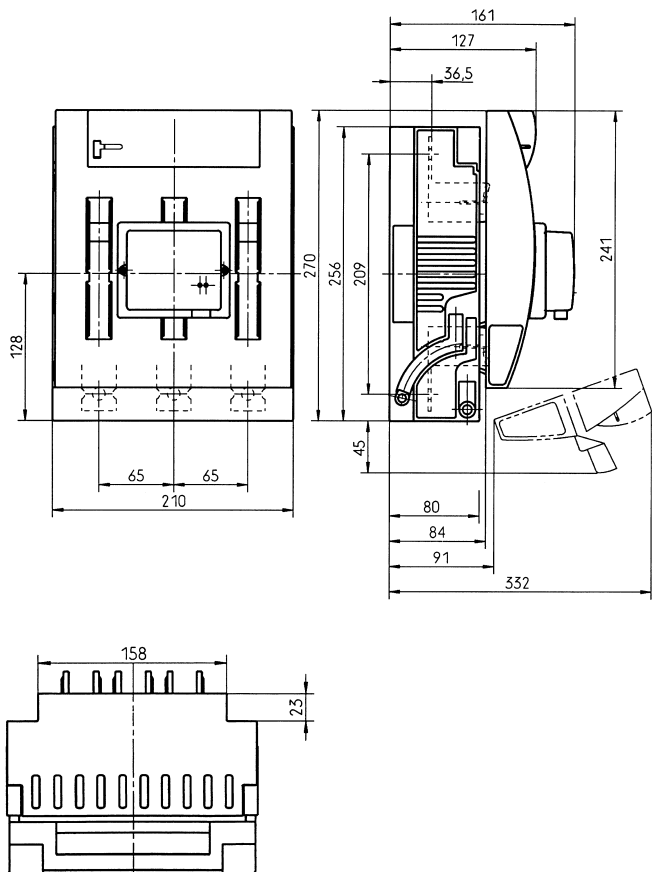
Dimensions drawings Size 00, 160 A



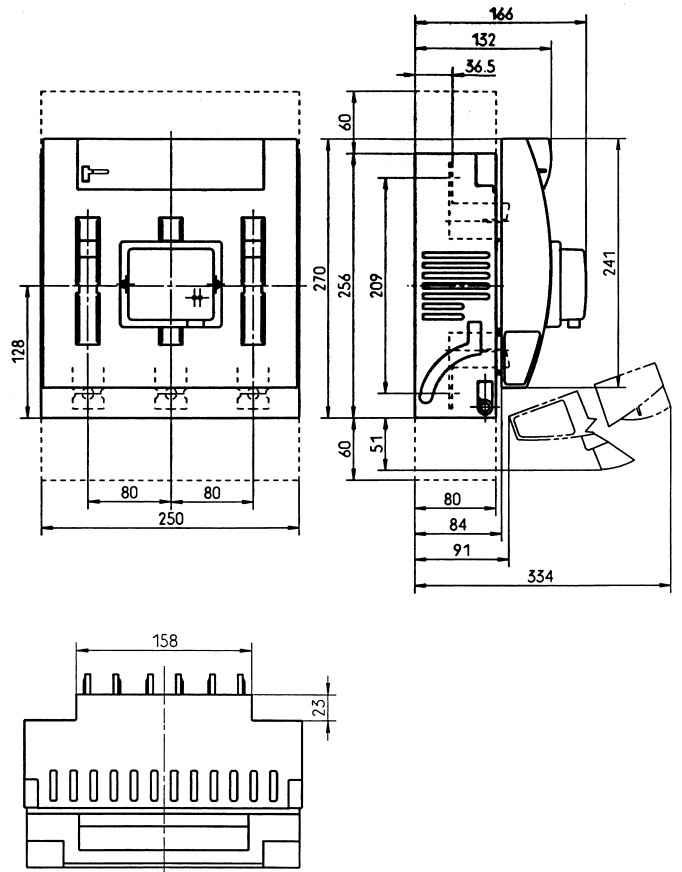
Dimensions drawings Size 1, 250 A



Dimensions drawings Size 2, 400 A



Dimensions drawings Size 3, 630 A



NT-IN

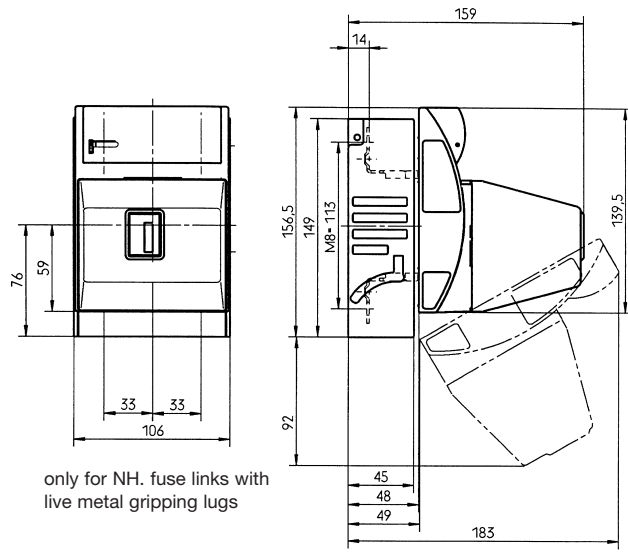


## NH Fuse-Switches for baseplate mounting, with mechanical fuse monitoring

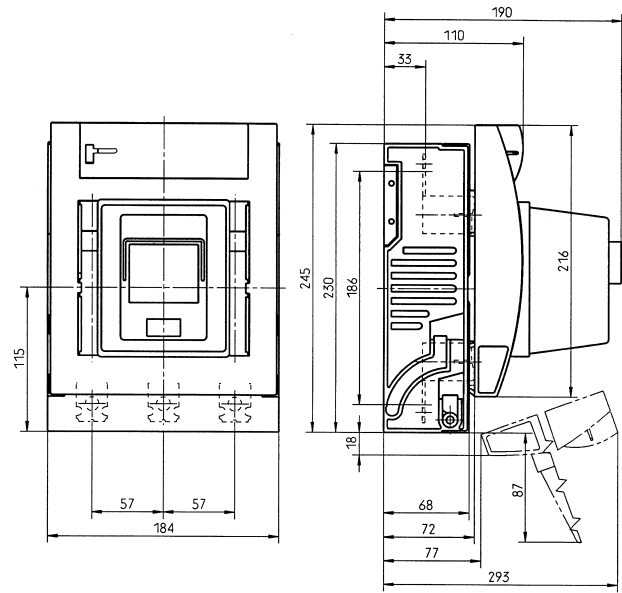
Description	Size	Amps $I_{th}$	Order no.	Description	Pack	Weight
Multiple use terminal (screw M8)	00	160	34060-0030	NH-Latr 00IN SN/SG U5U5	1	1,10
Multiple use terminal (screw M10)	1	250	34162-0030	NH-Latr 1IN SN/SG U2U2	1	2,40
Multiple use terminal (screw M10)	2	400	34262-0030	NH-Latr 2IN SN/SG U2U2	1	3,50
Multiple use terminal (screw M10)	3	630	34362-0030	NH-Latr 3IN SN/SG U2U2	1	5,60

Devices for busbar mounting on demand.

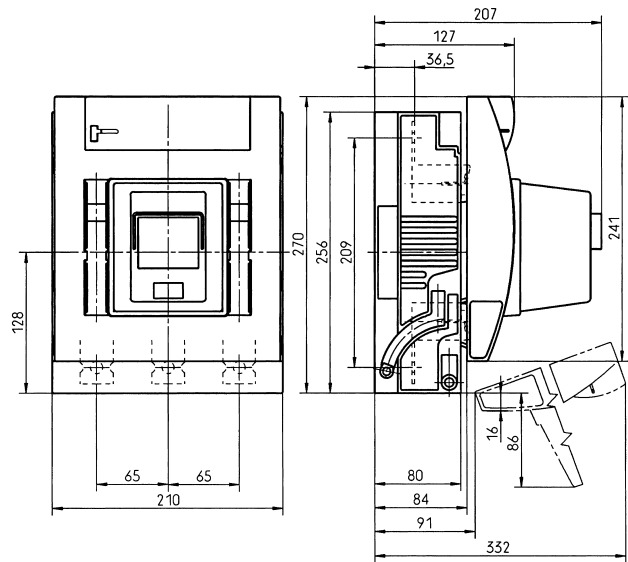
Dimensions drawings Size 00, 160 A



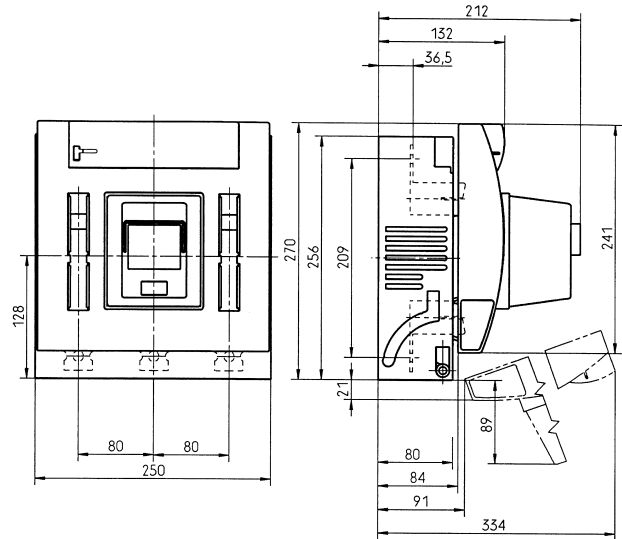
Dimensions drawings Size 1, 250 A



Dimensions drawings Size 2, 400 A



Dimensions drawings Size 3, 630 A

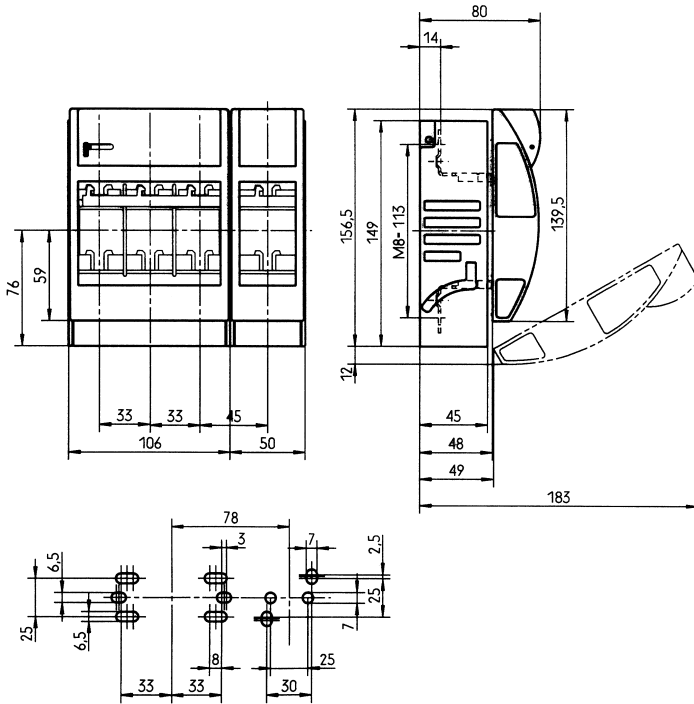


NT-IN

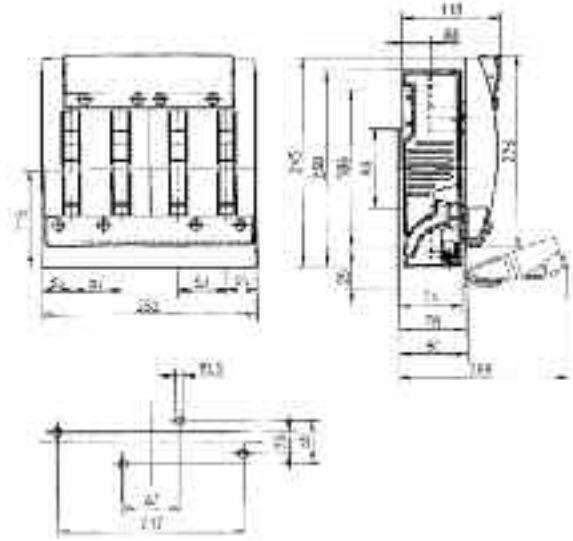
## NH Fuse-Switches, 4-pole switching for baseplate mounting

Description	Size	Amps I <sub>th</sub>	Order no.	Description	Pack	Weight
<b>Screw terminal M8</b>	00	160	34060-4000	NH-Latr 00IN 4P U5U5	1	0,75
<b>Screw terminal M10</b>	1	250	34162-4000	NH-Latr 1IN 4P U2U2	1	3,70
<b>Screw terminal M10</b>	2	400	34262-4000	NH-Latr 2IN 4P U2U2	1	7,70
<b>Screw terminal M10</b>	3	630	34362-4000	NH-Latr 3IN 4P U2U2	1	8,60
<b>Screw terminal M16, 1-pole switching</b>	4a	1250	34440-0000	NH-Latr 4A 4P EP L8L8	1	14,00

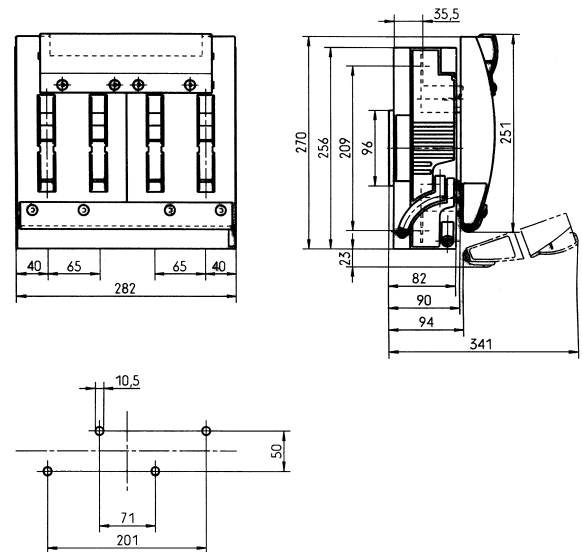
Dimensions drawings Size 00, 160 A



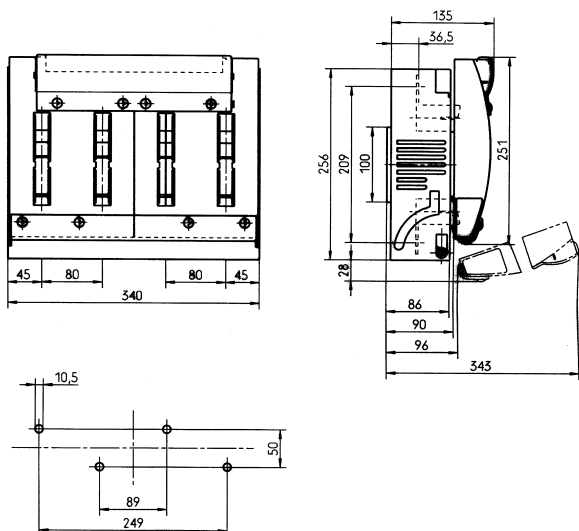
Dimensions drawings Size 1, 250 A



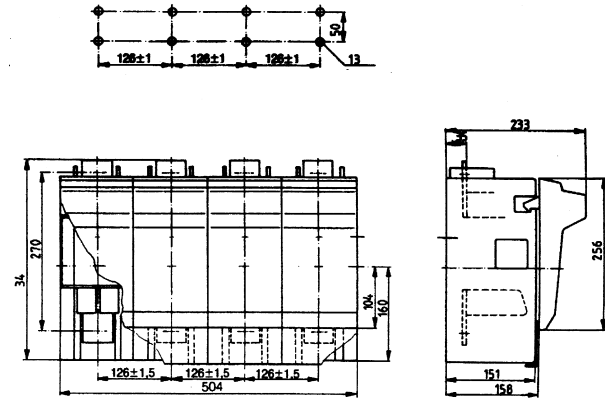
Dimensions drawings Size 2, 400 A



Dimensions drawings Size 3, 630 A



Dimensions drawings Size 4a, 1250 A

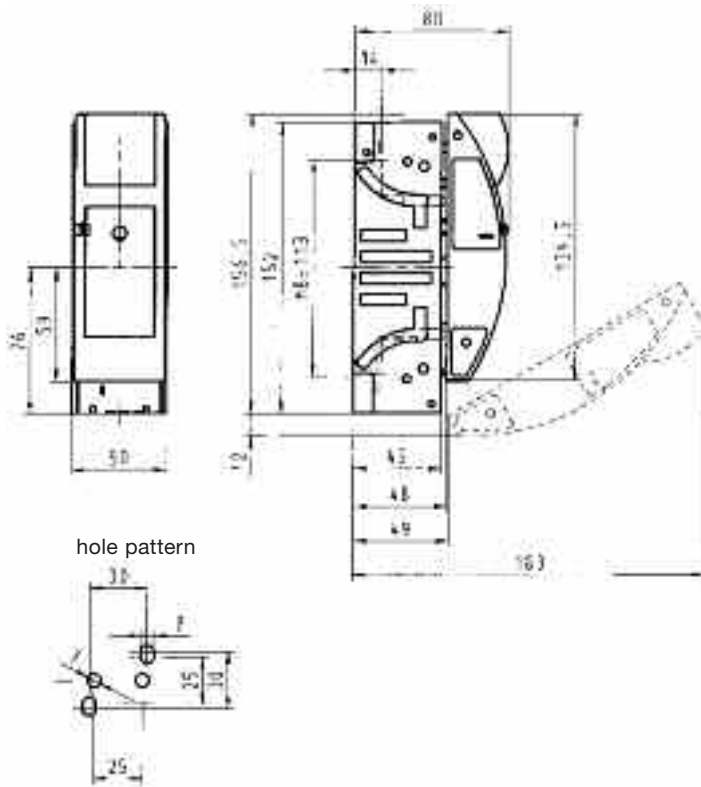


NT-IN

**NH Fuse-Switches, 1-pole for for baseplate or busbar mounting**

Description	Size	Amps I <sub>th</sub>	Order no.	Description	Pack	Weight
with Multiple use terminal (screw M8)	00	160	33136-0010	NH-LATR 00IN 1P U5U5	2	0,350
with Multiple use terminal (screw M8), for busbar mounting	00	160	33137-0010	NH-LATR 00IN 1P SB U5	2	0,350

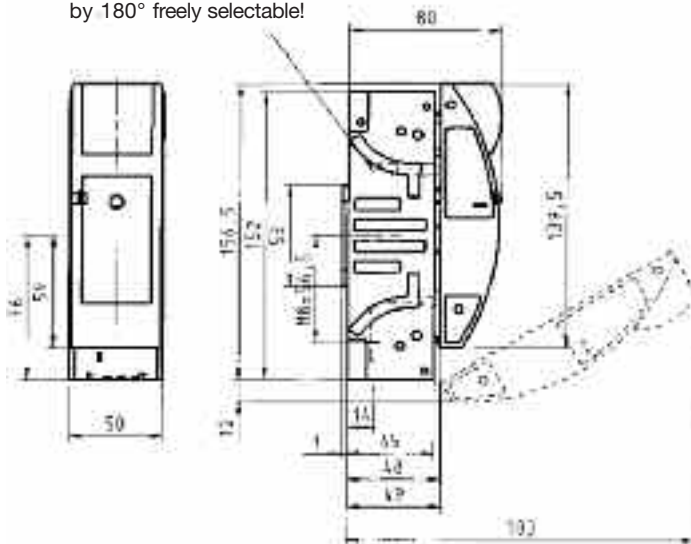
Dimensions drawings 33136-0010



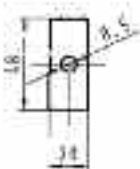
hole pattern

Dimensions drawings 33137-0010

complimentary connection top / bottom while turning the frame by 180° freely selectable!



connection at busbar rail



NT-IN